

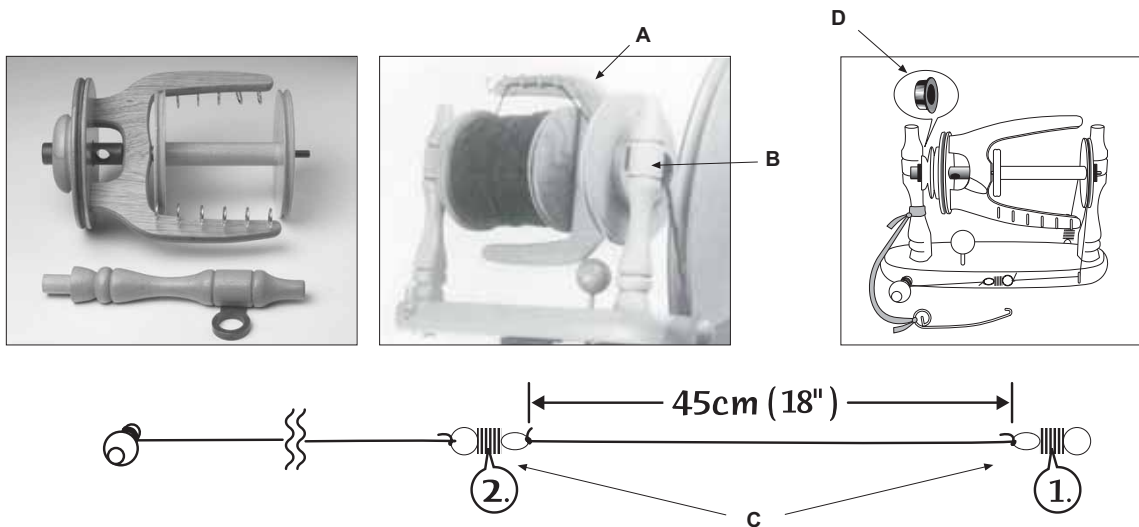
## BASIC JUMBO FLYER UNIT SINGLE DRIVE FOR TRADITIONAL OR TRAVELLER

The Ashford Basic Jumbo Flyer Unit produces soft bulky yarn ideal for fashion garments and thicker yarns for weaving.

When the jumbo with the large pulley is fitted, the flyer rotates more slowly. This allows the spinner more time for drafting the fibre and reduces the twist in the yarn. For best results, the draft should be no more than two inches in length.

### ASSEMBLING THE ASHFORD BASIC JUMBO FLYER UNIT

- 1) Remove the old upright with the large hole from the maiden bar and replace it with the new jumbo upright, after waxing the dowel end. Clamp in position with the screw and washer provided, after ensuring the bearing is at right angles to the flyer. Do not over tighten as both uprights are twisted to remove bobbins.
- 2) Carefully thread the jumbo flyer hooks into the predrilled holes in the flyer.
- 3) Position the flyer and bobbin between the flyer bearings.
- 4) Replace the nylon brake band after adding 2 tension springs.
- 5) If the existing driving band is too short, replace it with the one supplied.
- 6) The jumbo bearing bush makes jumbo and standard flyers interchangeable - no need to remove the maid upright. To use your standard flyer, just insert this bush into the jumbo bearing on your upright.



### LIST OF PARTS SUPPLIED

1	Jumbo Flyer (A)	1	Jumbo Upright with large hole (B)
1	Driving Band	12	Flyer hooks
1	Threading hook	1	Screw
1	Washer	1	Bobbin
1	Jumbo Bearing Bush (D)	2	Tension Springs (C)
1	Nylon Brake Band		