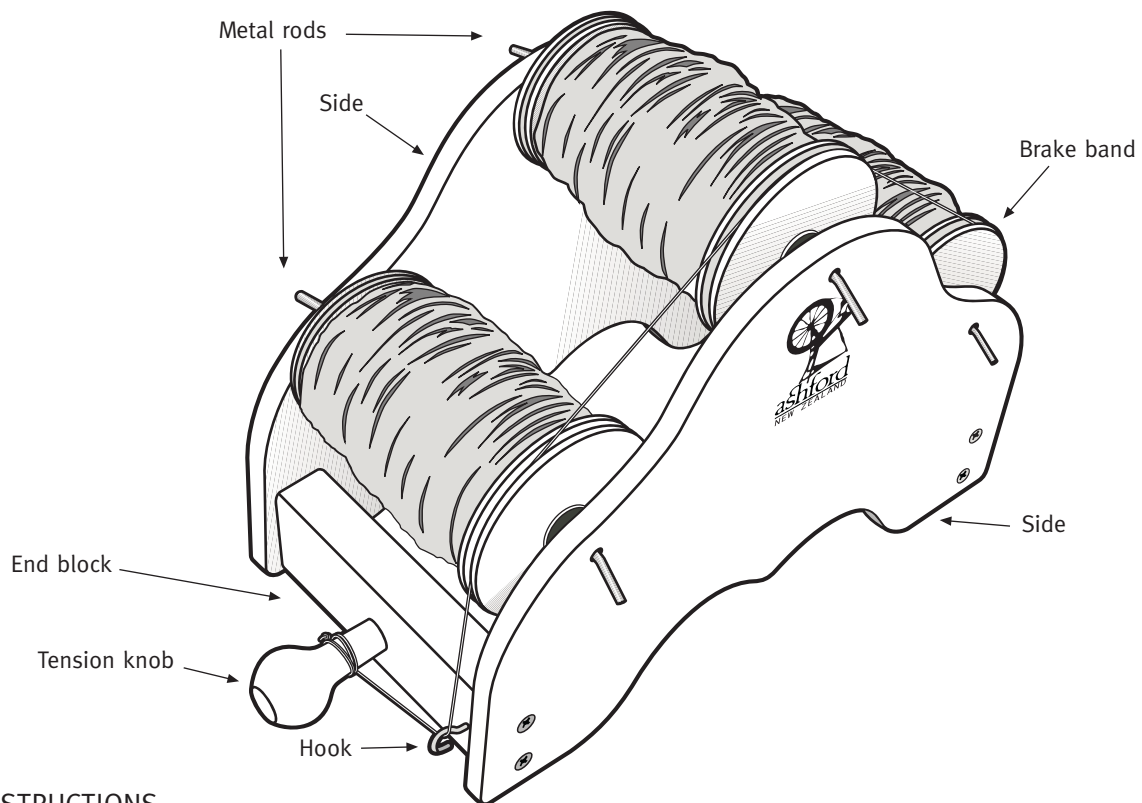


ASHFORD PRECISION LAZY KATE

The Ashford precision lazy kate holds 3 standard or jumbo, single or double drive bobbins. Includes tension knob, brake band and spring for precise control of your yarn while plying.

PLK

Manufactured by:
Ashford Handicrafts Ltd, Ashburton, New Zealand.
www.ashford.co.nz



ASSEMBLY INSTRUCTIONS

- 1) Identify the two small end blocks.
- 2) Screw a small hook into the holes on the sides of each end block.
- 3) Take one lazy kate side and attach the end blocks at each end, making sure the hooks are both nearest this first side and facing the outside - logo to the outside also.
- 4) Secure the other lazy kate side to the end blocks with screws.
- 5) Thread the brake band through the hole in the wooden tension knob, tie the spring to the other end.
- 6) Locate your bobbins in place on the lazy kate and secure with the metal rods.
- 7) Place the tension knob into the large hole, follow the cord through the small hook, over the ends of the three bobbins and onto the hook on the opposite end. Adjust the brake band tension by turning the knob until it is perfect for your plying and your bobbins do not over run.
Enjoy your plying!

Ashford Handicrafts Ltd.
Factory and Showroom: 415 West Street,
PO Box 474, Ashburton, New Zealand
Telephone 64 3 308 9087
Facsimile 64 3 308 8664
Email: sales@ashford.co.nz
Internet: www.ashford.co.nz

Ashford Guarantee
Thank you for purchasing this Ashford product. In the unlikely event there is any fault in manufacture we will replace the item. To validate our guarantee please visit our website or write to us.
Please also join our Ashford Club for the Wheel Magazine, competitions and more at www.ashfordclub.co.nz