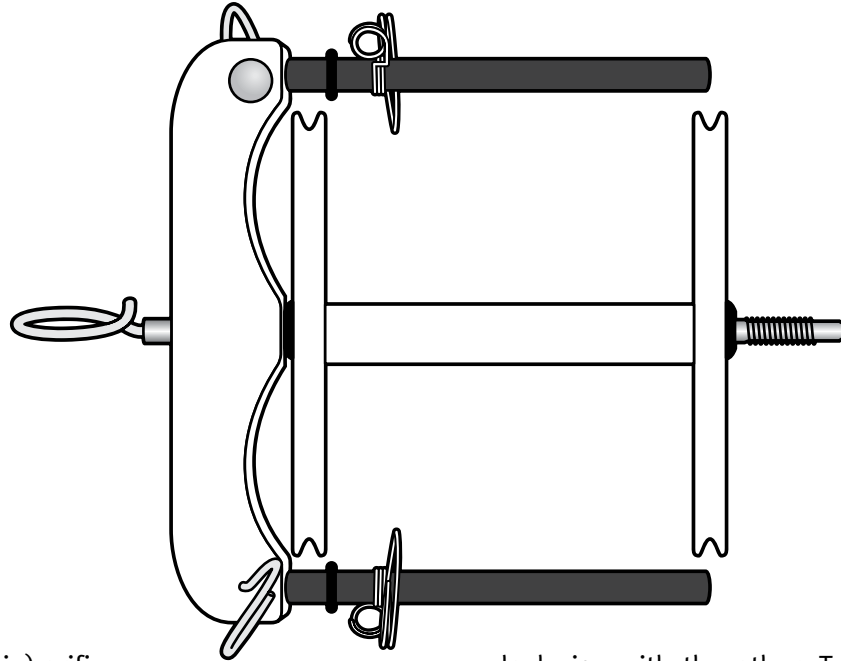


FREEDOM FLYER

For single & double treadle Joy spinning wheels

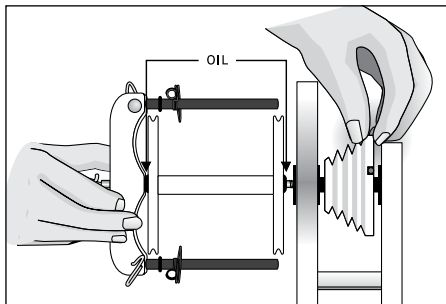
This fantastic new flyer gives you the freedom to spin your wild carder batts into fabulous, fun and funky art yarns on your Joy spinning wheel. With the enormous 25mm (1in) orifice and hooks you can spin and ply fibres, feathers, fabric, ribbon, cocoons and more. The open hooks make threading super fast and easy.



- Enormous 25mm (1in) orifice
- Flyer comes with one jumbo bobbin
- Fill your bobbins evenly with the squeeze and slide stainless steel yarn guides
- Fibreglass arms result in a light and strong flyer
- The 4 speed pulley allows a wide range of yarns to be spun

Ratios 6 8 11 14 :1

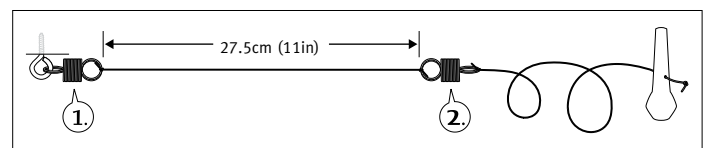
1. Apply a drop of oil to the flyer spindle and thread. Ashford spinning wheel oil is ideal for this purpose. Slide the bobbin on.



2. Thread the flyer spindle into the top shaft. Hold the flyer whorl with one hand and rotate the flyer

clockwise with the other. Take care not to force or overtighten the flyer.

3. Cut 38cm (15in) off the brake band. Tie one end to the spring attached to the frame and the other to the second spring so that you have 27.5cm (11in) in between the 2 springs.



4. Tie a leaderyarn approx. 1.5m / 5' to the bobbin centre and feed it through the yarn guides and orifice.
5. As your bobbin fills, squeeze and slide the yarn guide to fill your bobbin evenly.
6. Fit the drive band to the largest flyer pulley. Treadle slowly.

Happy Spinning!

If your new flyer does not thread easily or fully into the top shaft, please refer to the instructions on replacing the top shaft.

27.5cm (11in)