

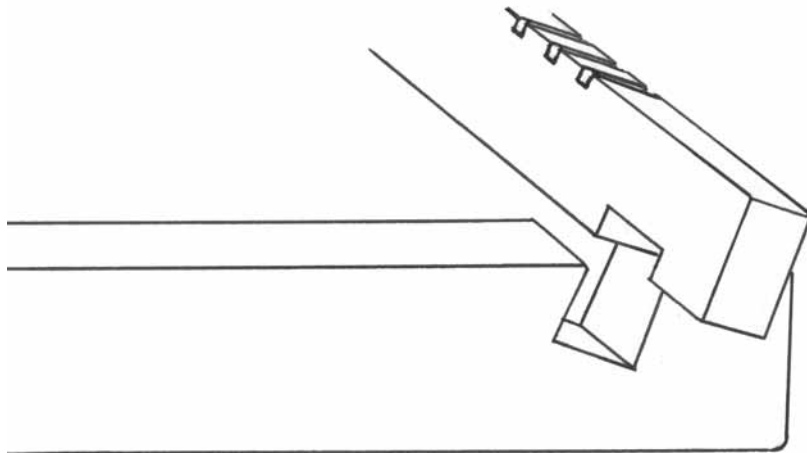
Weaving Frame Small

Weaving width 35cm x 25cm (13 x 9)

Assembly

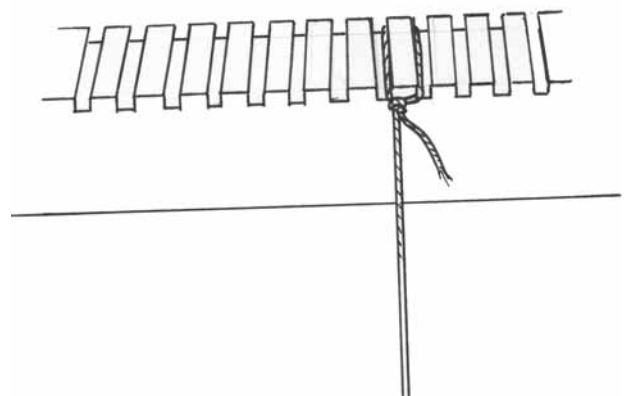
The weaving frame will fit together very easily. No need for nails or screws.

Slide the short ends into the long ends. Make sure the long shallow groove is to the outside.



Threading

Lie the loom on a table. Decide the width you will weave. Tie a knot to secure. Take a thread across the loom around other end. Continue backwards and forwards until width is correct. Tie a knot to secure and cut the thread.



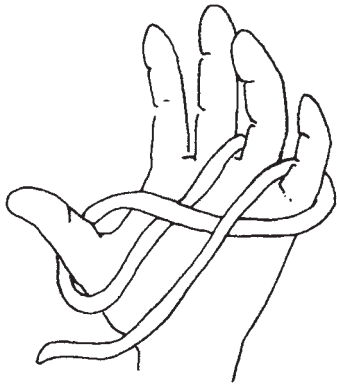
Starting To Weave

Take a narrow piece of cardboard. Weave through the threads. Push it to the bottom of the loom. Now you can begin weaving. Weave the first row of weaving against the cardboard.

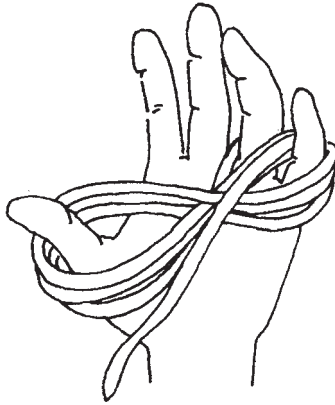
Designing Your Masterpiece

You can weave a fantasy. Just weave from your heart changing the colours as you feel for an original piece. Or take a piece of paper the size of your weaving space. Draw a design of your choice. Secure the paper to a piece of cardboard the same size (24x33.5cm approx). Following the design on your paper, carefully ink on the pattern to the threads on the loom. Use a water resistant felt marker pen.

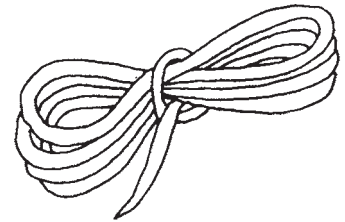
Make small butterflies of yarn.



1 To make a butterfly, first place the end between the middle and ring finger of either hand leaving a tail.



2 Keeping your fingers slightly spread, stack the revolutions one on top of another.



3 Leave the last wrap loose and slip the end of the yarn through the loop, then pull the end until it is snug.

Be creative use different textures of yarn handspun fibre is great! Spin chunky singles or novelty yarns.

