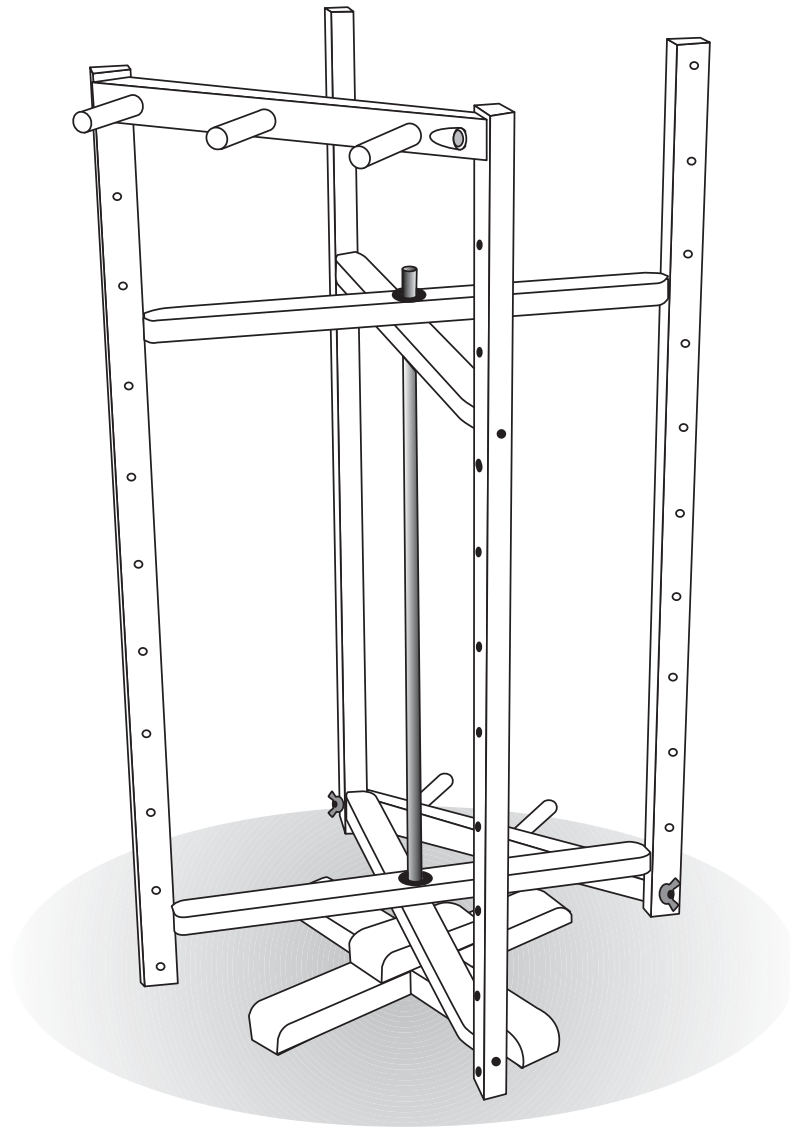
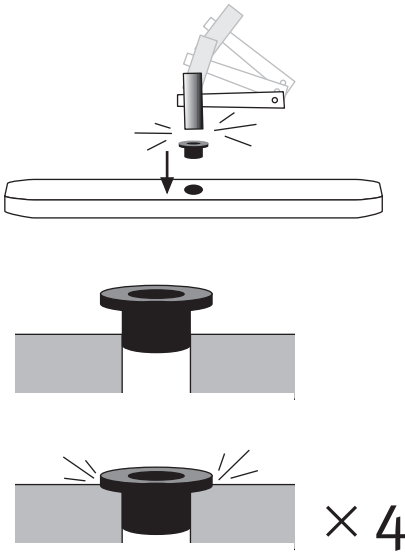


## WARPING MILL

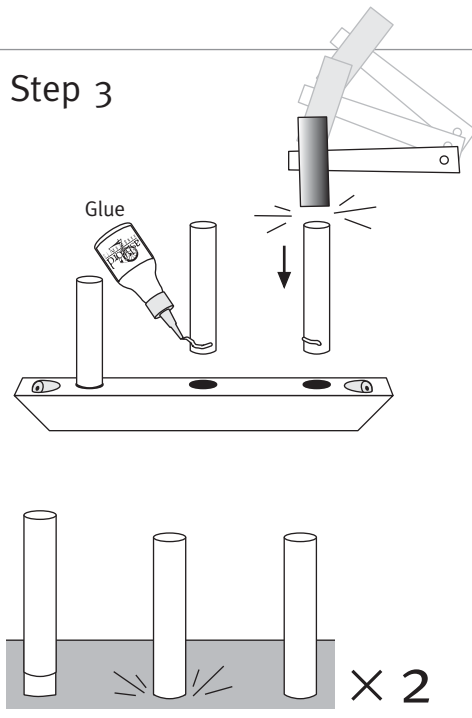




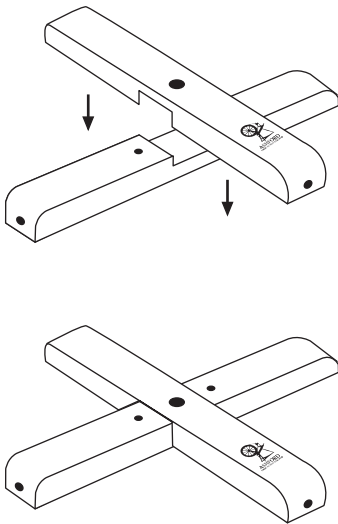
Step 2



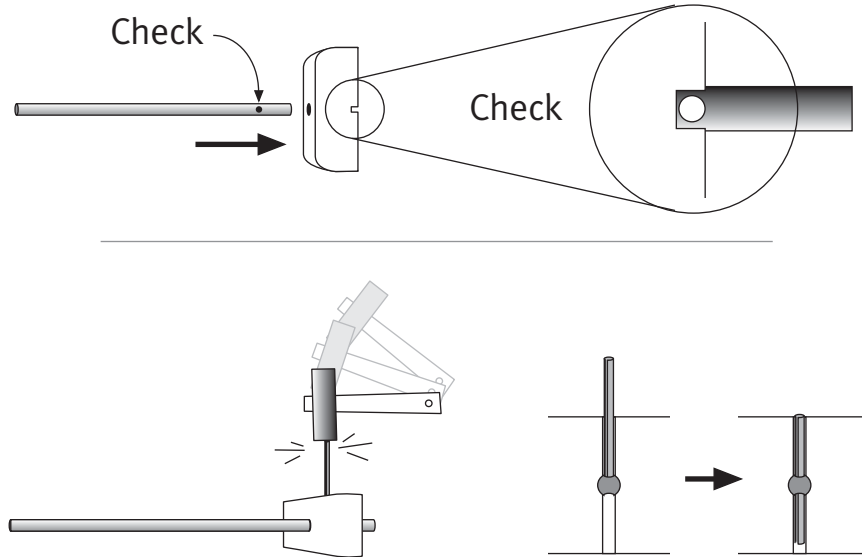
Step 3



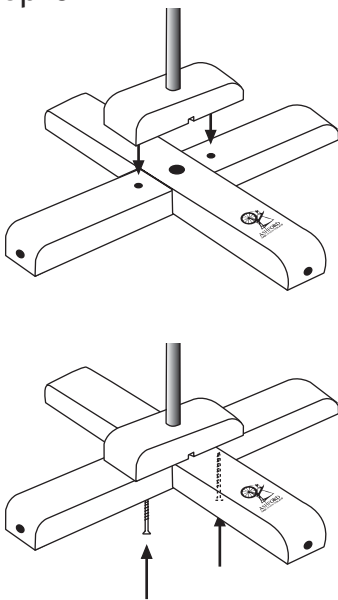
Step 4



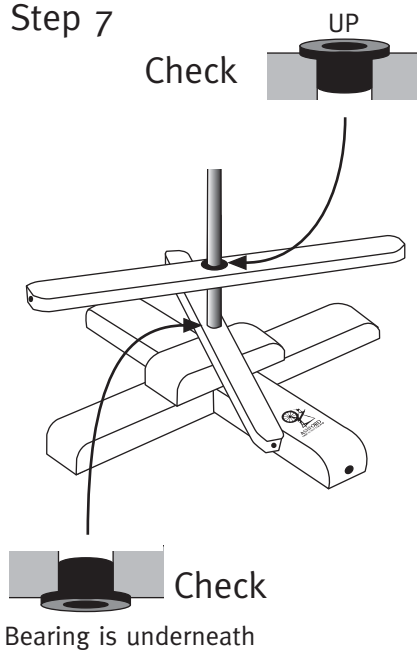
Step 5



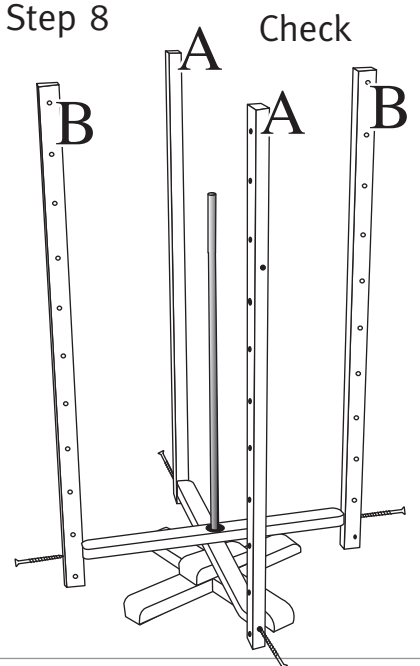
Step 6



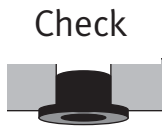
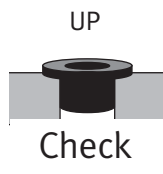
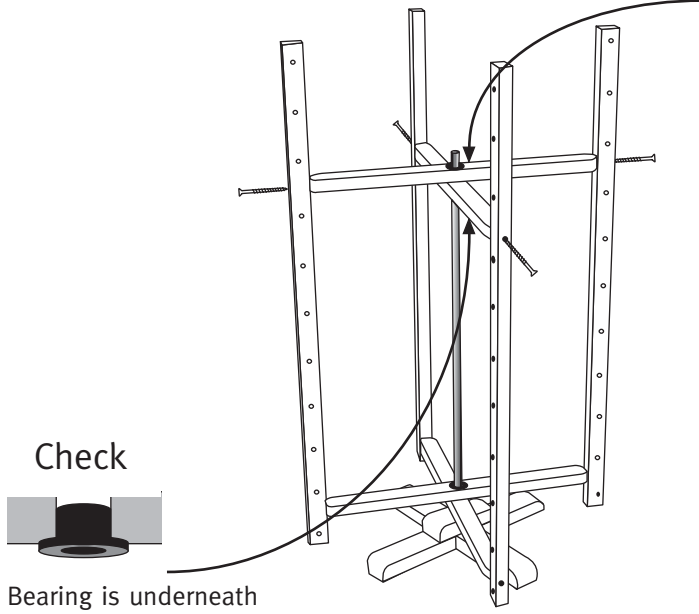
Step 7



Step 8

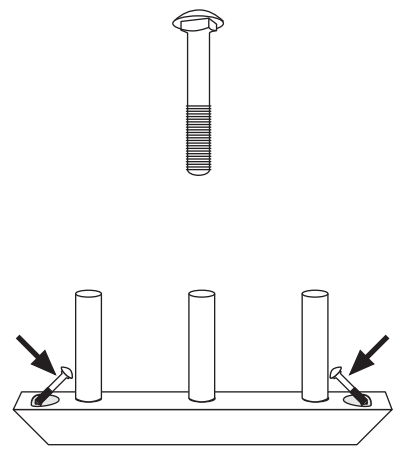


Step 9



Bearing is underneath

Step 10



Step 12

