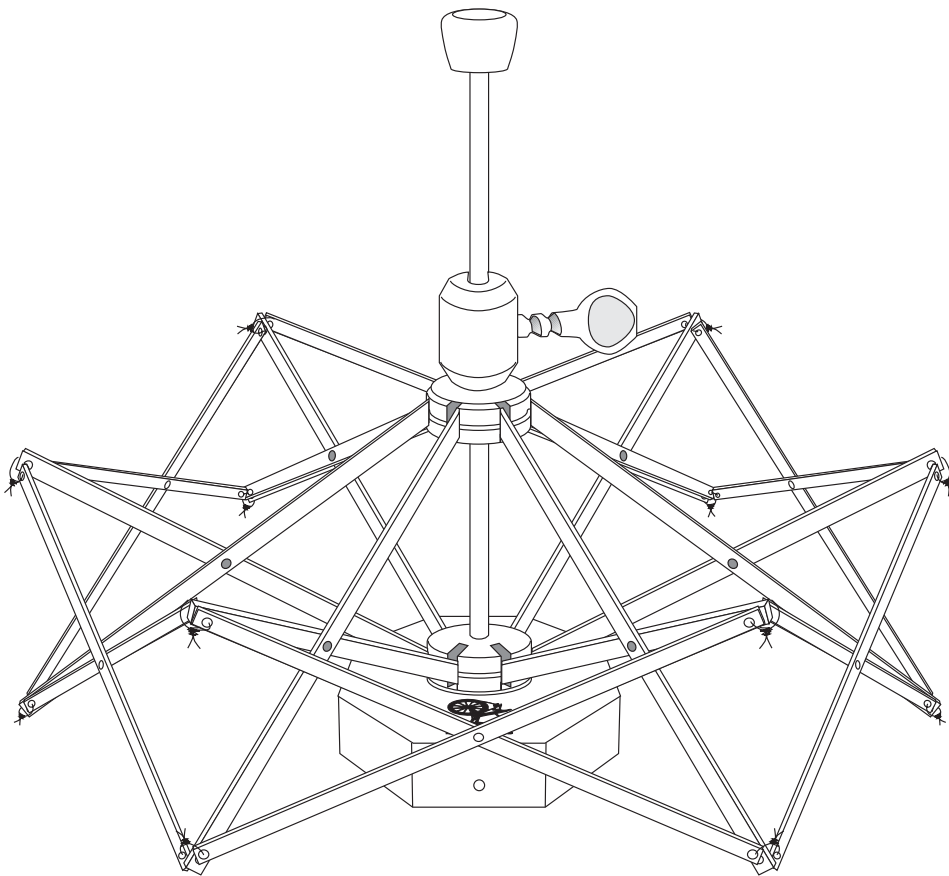
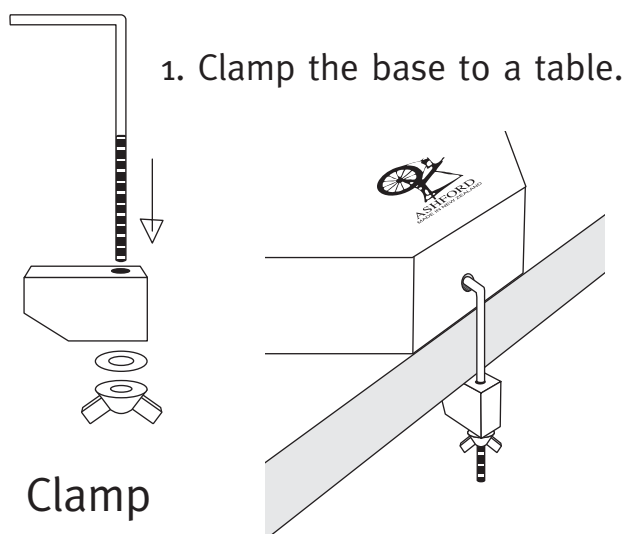


WOODEN UMBRELLA SWIFT

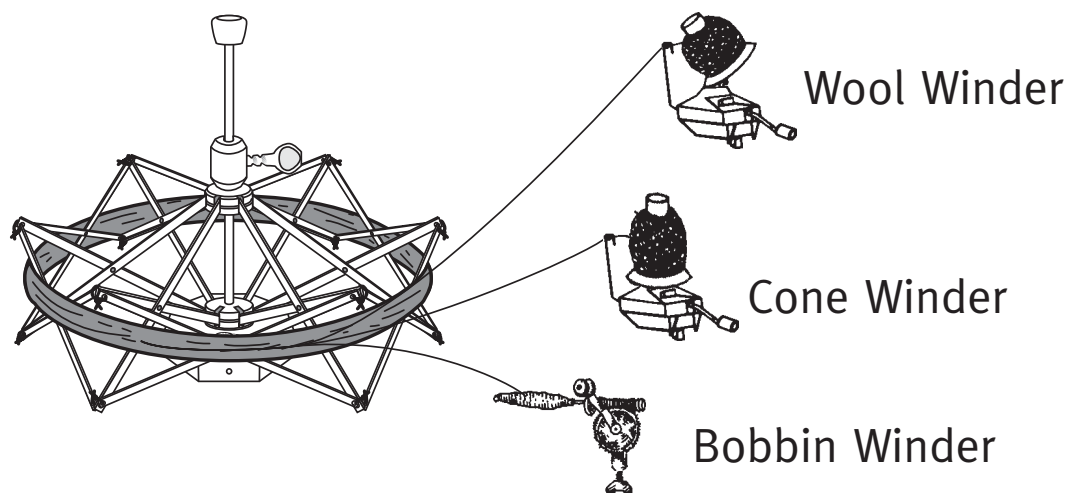
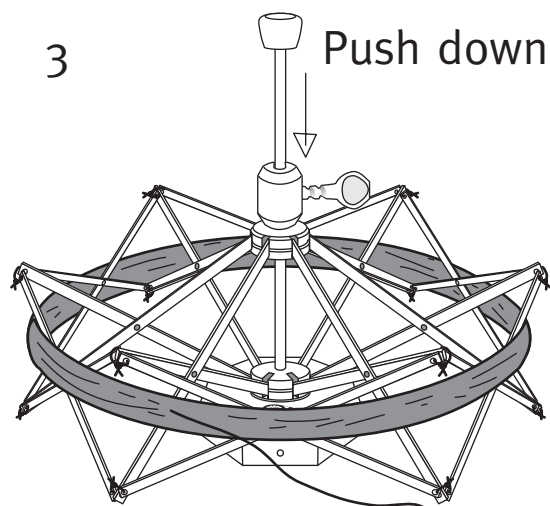
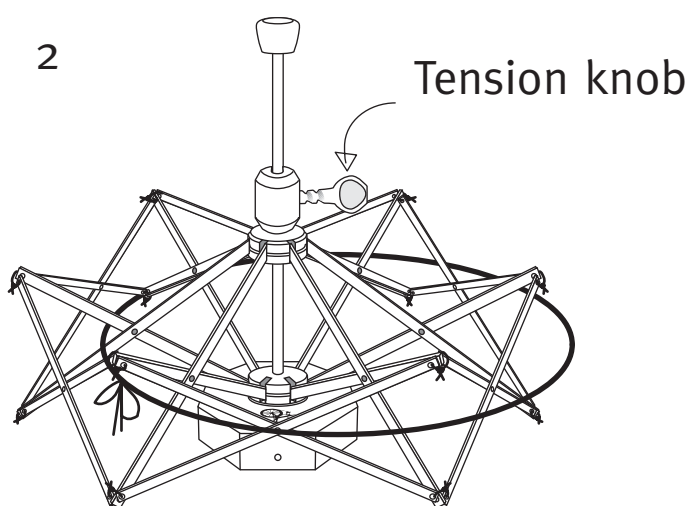


How to use the Ashford Wooden Swift.



2. Tie a thread the same size as your hank of yarn approx. 150cm (60ins), around the swift. Push the tension knob down and tighten to ensure it is held firmly in place.

3. Place your hank of yarn over the swift. Push down and retighten the tension knob from time to time as you wind the yarn from the swift.



Use the Wooden Umbrella Swift together with the Wool Winder, Bobbin Winder and Cone Winder - available from Ashford.