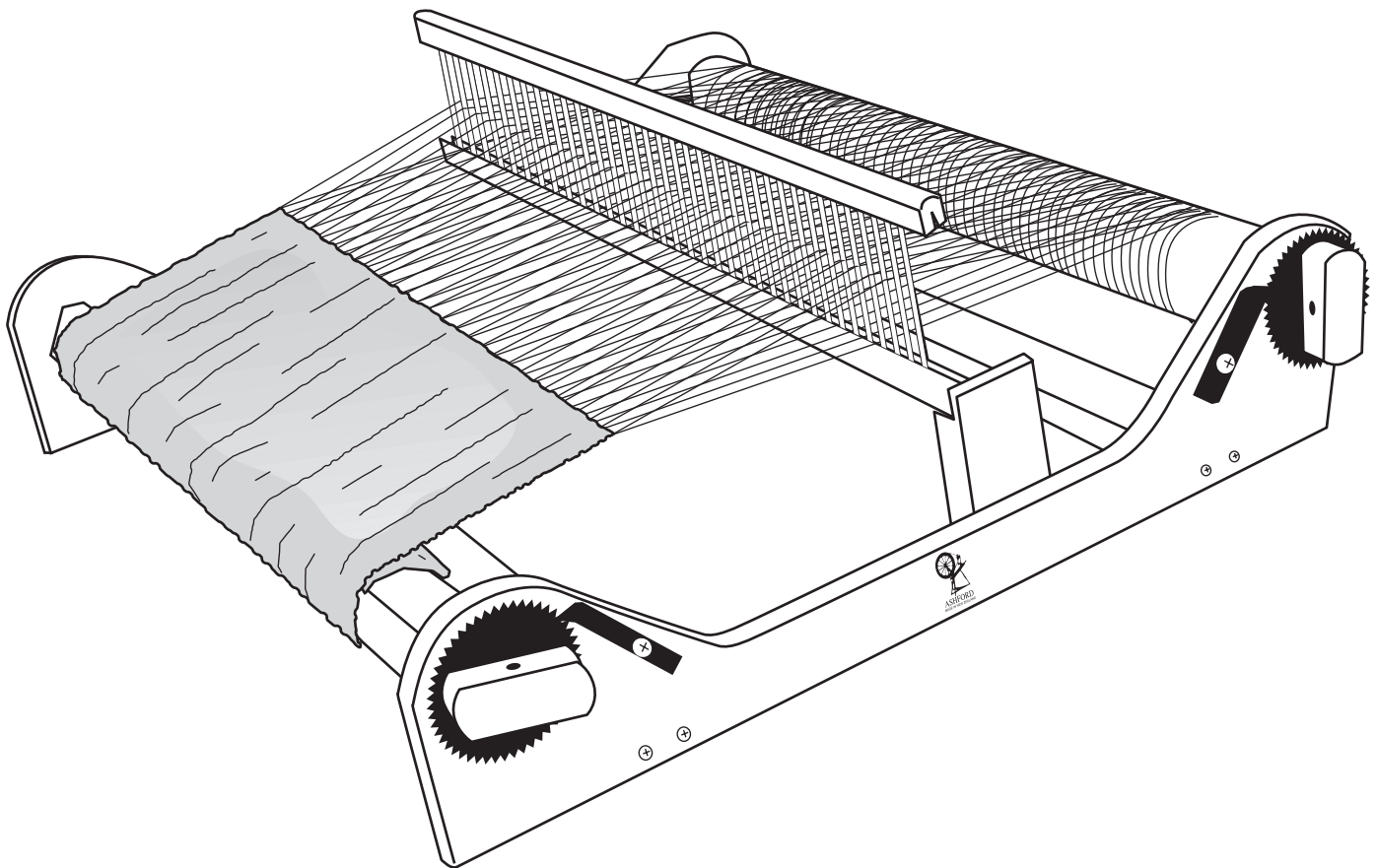


ASHFORD RIGID HEDDLE LOOM

40cm - 16", 60cm - 24", 80cm - 32"



RH260112V3

TOOLS REQUIRED

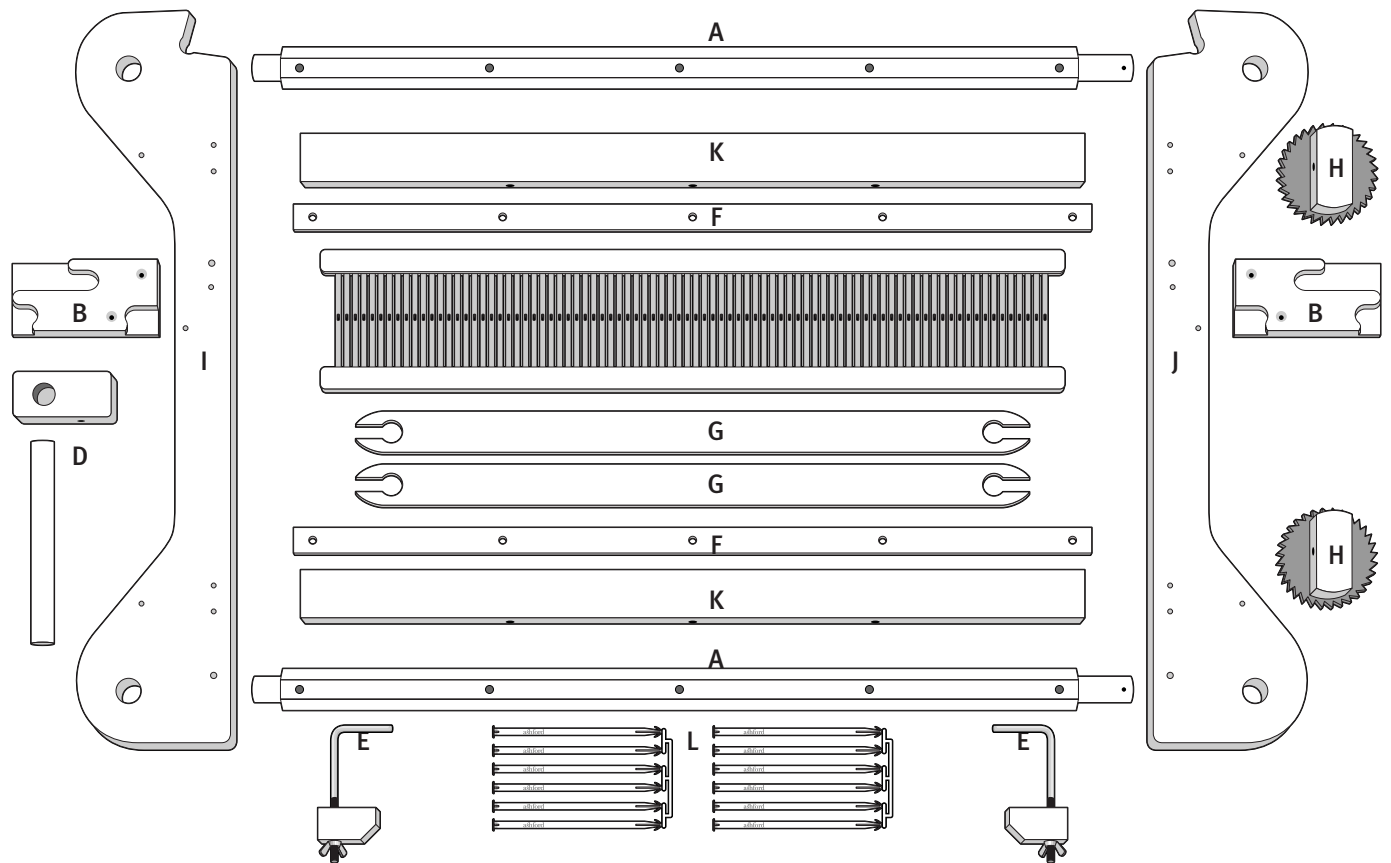
+ Head Screwdriver, Wood Glue, and Candlewax for roller ends and screw threads.

BEFORE COMMENCING

Read the instructions carefully and indentify all parts. Use the sand paper supplied to remove sharp edges and corners.

FINISHING THE WOOD

We recommend the wood be waxed or oiled before assembly. This protects it from climatic changes and enhances it's natural beauty. Ashford Wax Finish is ideal for this purpose.



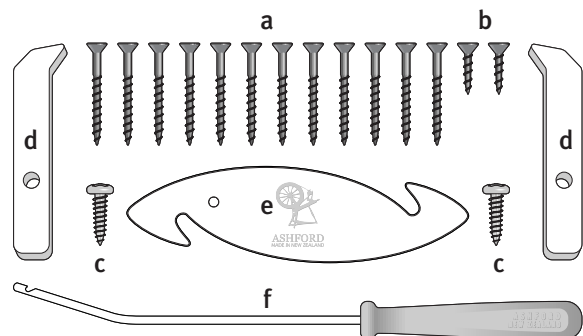
THE PARTS

- A Front and Back Rollers x 2
- B Reed Support Blocks x 2
- C Reed
- D Warping Peg and Block
- E Clamps x 2
- F Warp Sticks x 2

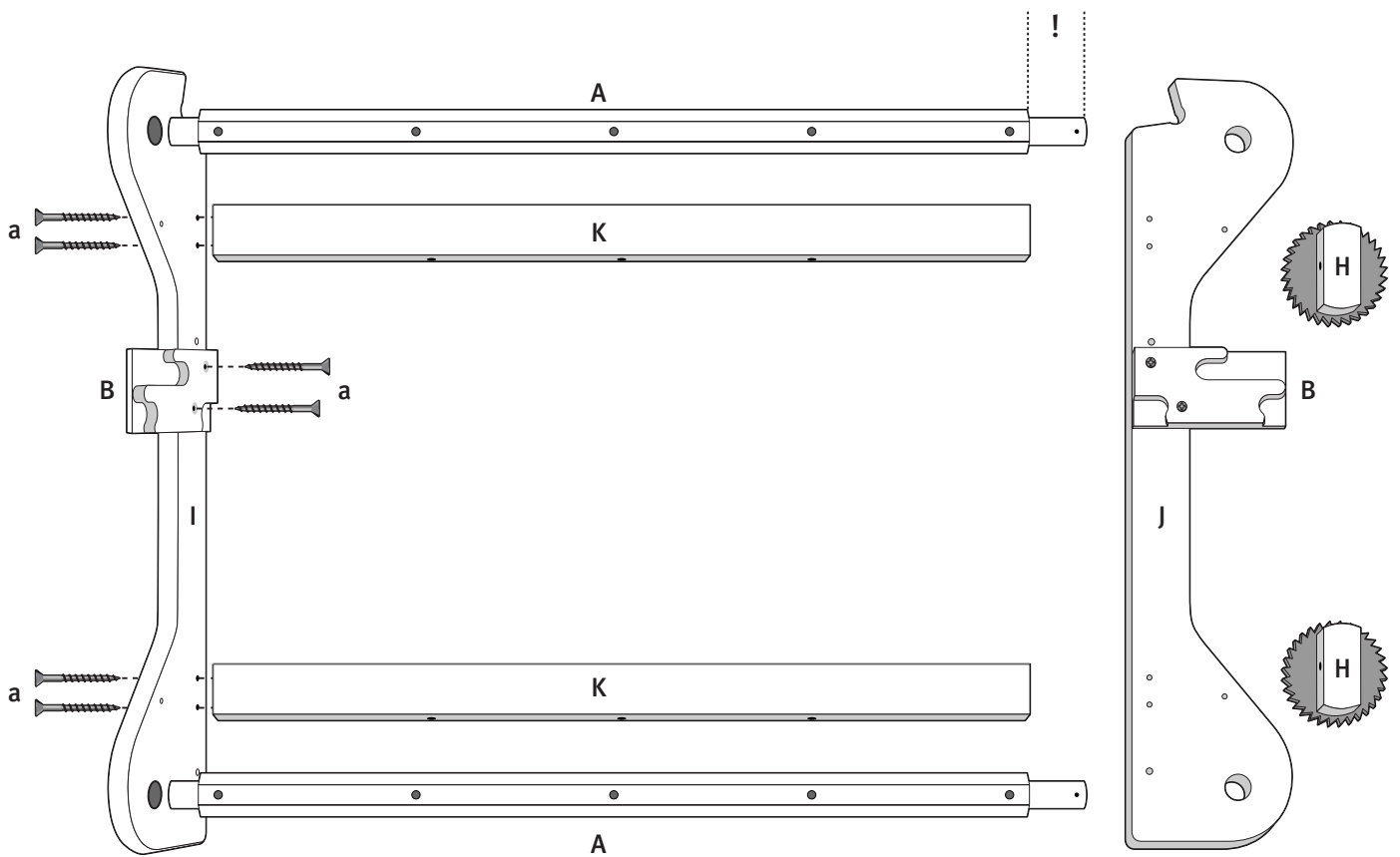
- G Shuttles x 2
- H Ratchet and Handles x 2
- I Left Side
- J Right Side
- K Front and Back Rails x 2
- L Warp Stick Ties

HARDWARE LIST

- a 38mm - 1 1/2" screws x 12
- b 19mm - 3/4" screws x 2
- c 19mm - 3/4" roundhead screws x 2
- d Pawls x 2
- e Reed Hook
- f Heddle Hook



Note: These instructions are for right-handed assembly. For left-handed assembly please see instructions on last page.



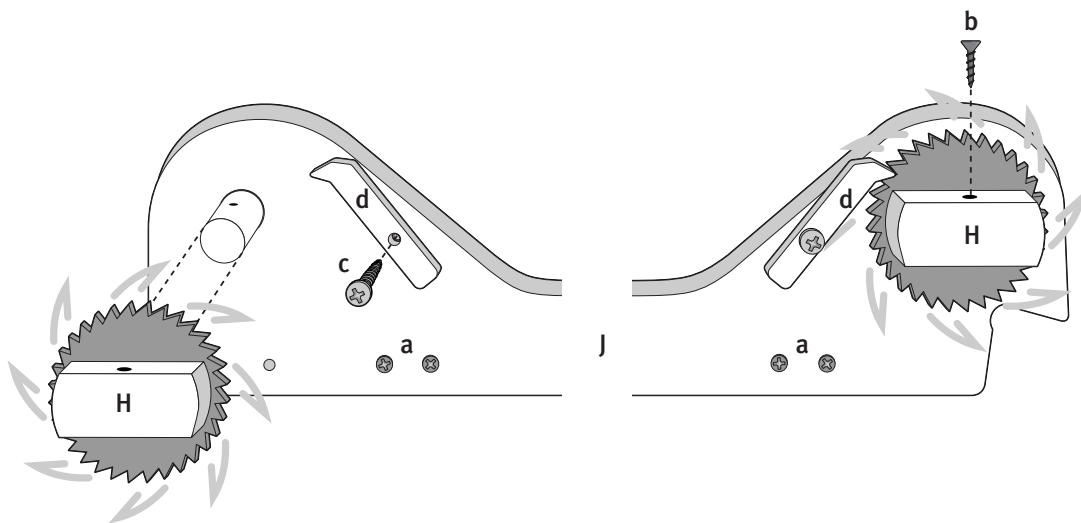
Step 1. Attach the Reed Support Blocks **B** to the front set of holes in the Sides **I** and **J** with 38mm - 1 1/2" screws as illustrated.

Hint: Use wood glue for extra strength. However, if intending to add a second heddle kit in the future, do not glue as you need to remove and replace the Reed Support Blocks.

Step 2. Attach the Front and Back Rails **K** to the Left Side **I** using 38mm - 1 1/2" screws.

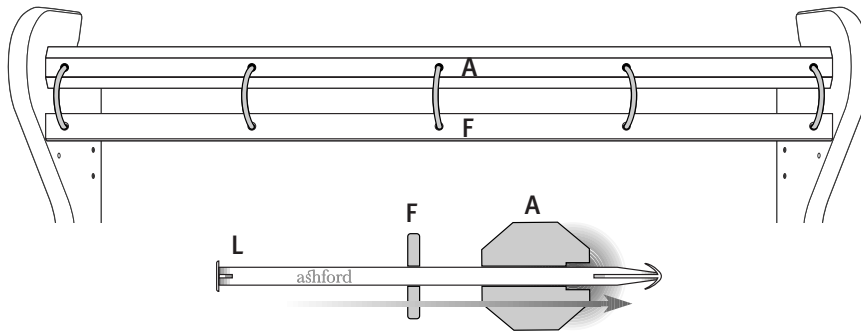
Step 3. Rub candlewax over both ends of the Front and Back Rollers **A**. Then insert the short end of the Rollers **A** into the holes in the Left Side **I**.

Step 4. Insert the long ends of the Rollers **A** into Right Side **J** and attach to the Front and Back Rails **K** to the side with 38mm - 1 1/2" screws.



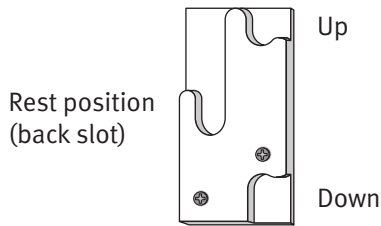
Step 5. Attach the 2 Pawls to the Right Side **J** with 19mm - 3/4" roundhead screws. Do not overtighten as the Pawls must be free to swing.

Step 6. Locate the Ratchet and Handles **H** onto the Roller ends protruding from the Right Side **J**. Check the Ratchet teeth engage the Pawl correctly. Then secure with 19 mm - 3/4" screws into the pilot holes.

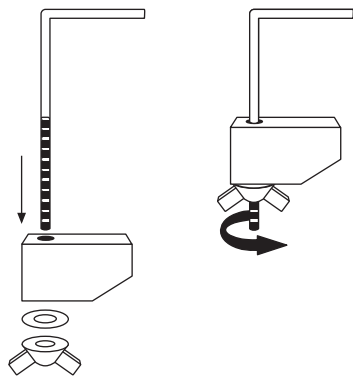


Step 7. Connect the Warp Sticks F to the Rollers A with the Warp Stick Ties L.

Note: First push the arrowhead through the warp stick. Then push the arrowhead into the small hole in the Roller and out into the larger hole as illustrated.



Step 8. Locate the Reed C into the rest position of the Reed Support Blocks B.



Step 9. Assemble the Clamps E.

Step 10. Assemble the Warping Peg D by inserting the dowel into the block.

Changes for Left-Handed Assembly

Step 3: Insert short end of the Rollers into the holes in Right Side J.

Step 5: Attach the pawls to the Left Side I.

OPTIONAL ACCESSORIES FOR THE ASHFORD RIGID HEDDLE LOOM

Reeds: For 40cm - 16", 60cm - 24", 80cm - 32" wide looms.

Available with 5, 7.5, big eye 7.5, 10 or 12.5 dpi - 20, 30, 40, or 50/10cm.

Second Heddle Kit: for multi heddle weaving.

Stick Shuttles: 15cm - 6", 26cm - 10", 36cm - 14", 56cm - 22"

Loom Stand: For 40cm - 16", 60cm - 24", 80cm - 32" wide looms.