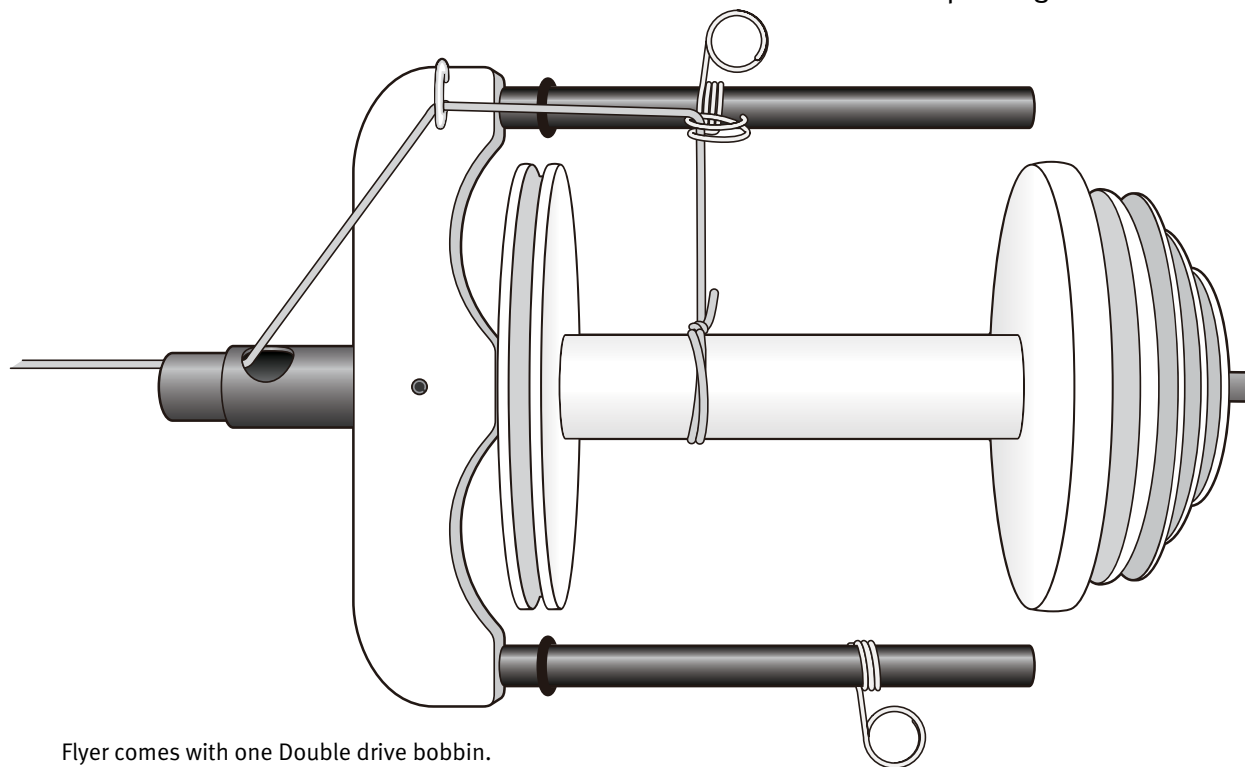


### SLIDING HOOK FLYER

- Double Drive -

For Traditional & Traveller double drive and Elizabeth spinning wheels



- Flyer comes with one Double drive bobbin.
- Fill your bobbins evenly with the squeeze and slide stainless steel yarn guides.
- Fibreglass arms result in a light and strong flyer.
- The 3 speed pulley allows a wide range of yarns to be spun.

#### Ratios

Elizabeth	8.0	10.5	14.0	:1
Traditional	7.5	9.5	13.0	:1
Traveller	6.0	8.0	10.5	:1

#### Wood finish

We recommend the wood be sealed with a wax or oil finish before use to protect and enhance it's natural beauty. Ashford wax polish is ideal for this purpose.

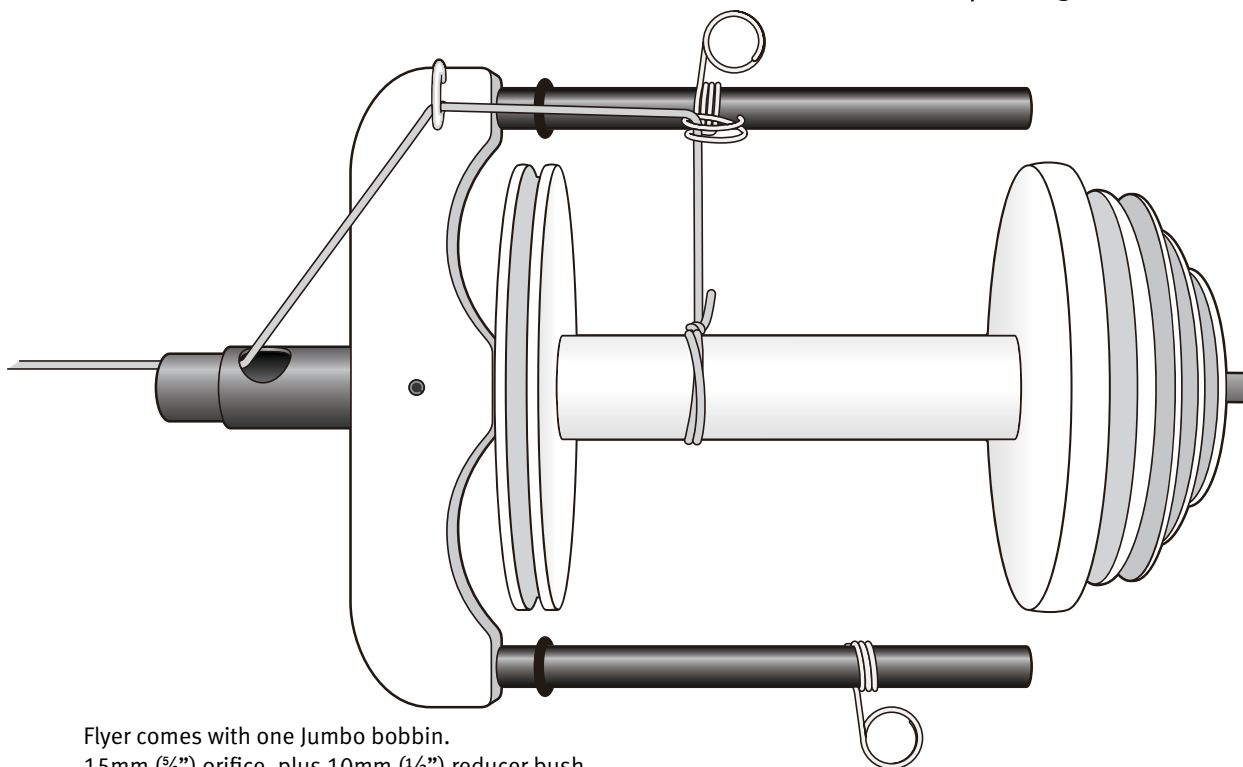
1. Thread the 2 hooks into the pilot holes in the flyer base.
2. Slide the rubber O-rings onto the flyer arms until opposite the bobbin end.
3. Squeeze and slide the stainless steel yarn guides onto the flyer arms.
4. Apply a drop of oil to the flyer spindle and slide the bobbin and whorl on. Ashford spinning wheel oil is ideal for this purpose.
5. Locate the flyer between the flyer bearings, fit the drive and/or brake bands and apply a drop of oil to the flyer bearings.
6. Attach the threading hook to your spinning wheel with the cotton tape.
7. Tie a leader yarn approx. 1.5m / 5' to the bobbin centre and feed it through the yarn guide, around the flyer hook and through the orifice.
8. As your bobbin fills, squeeze and slide the yarn guide to fill your bobbin evenly.

*Happy Spinning!*

### JUMBO SLIDING HOOK FLYER

- Double Drive -

For Traditional & Traveller double drive and Elizabeth spinning wheels



- Flyer comes with one Jumbo bobbin.
- 15mm ( $\frac{5}{8}$ " ) orifice, plus 10mm ( $\frac{1}{2}$ " ) reducer bush.
- Fill your bobbins evenly with the squeeze and slide stainless steel yarn guides.
- Fibreglass arms result in a light and strong flyer.
- The 3 speed pulley allows a wide range of yarns to be spun.

#### Ratios

Elizabeth	5.0	5.5	6.5	:1
Traditional	4.5	5.3	6.0	:1
Traveller	4.0	4.5	5.0	:1

#### Wood finish

We recommend the wood be sealed with a wax or oil finish before use to protect and enhance it's natural beauty. Ashford wax polish is ideal for this purpose.

1. Thread the 2 hooks into the pilot holes in the flyer base.
2. Slide the rubber O-rings onto the flyer arms until opposite the bobbin end.
3. Squeeze and slide the stainless steel yarn guides onto the flyer arms.
4. Apply a drop of oil to the flyer spindle and slide the bobbin and whorl on. Ashford spinning wheel oil is ideal for this purpose.
5. To convert a standard spinning wheel to accept the Jumbo Flyer, remove the front flyer bearing and replace it with the enclosed Jumbo Flyer Bearing.
6. Locate the flyer between the flyer bearings, fit the drive and/or brake bands and apply a drop of oil to the flyer bearings.
7. Attach the threading hook to your spinning wheel with the cotton tape.
8. Tie a leader yarn approx. 1.5m / 5' to the bobbin centre and feed it through the yarn guide, around the flyer hook and through the orifice.
9. As your bobbin fills, squeeze and slide the yarn guide to fill your bobbin evenly.

#### Happy Spinning!

Ashford Handicrafts Ltd.  
Factory and Showroom: 415 West Street,  
PO Box 474, Ashburton, New Zealand  
Telephone 64 3 308 9087  
Facsimile 64 3 308 8664  
Email: sales@ashford.co.nz  
Internet: www.ashford.co.nz

Ashford Guarantee  
Thank you for purchasing this Ashford product. In the unlikely event there is any fault in manufacture we will replace the item. To validate our guarantee please visit our website or write to us.  
Please also join our Ashford Club for the Wheel Magazine, competitions and more at [www.ashfordclub.co.nz](http://www.ashfordclub.co.nz)