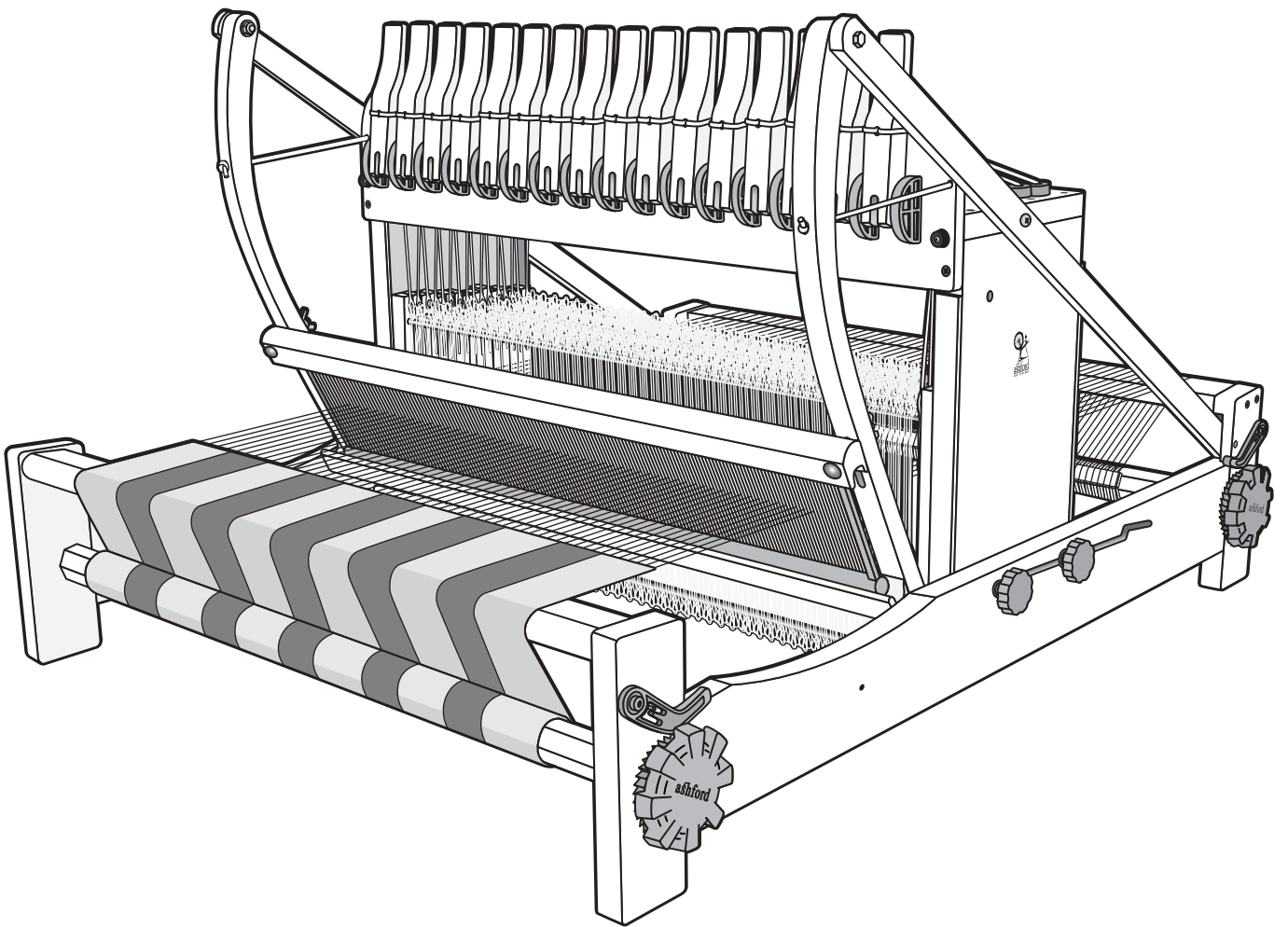


# ASHFORD TABLE LOOM - SIXTEEN SHAFT

610mm (24in)



SS610150819V7

## TOOLS

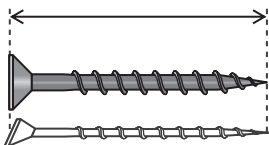


(including)

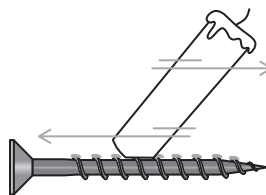


## HINTS

Before commencing, please read these instructions completely, identify the parts and note the assembly sequence.



Check hardware against full size illustration.



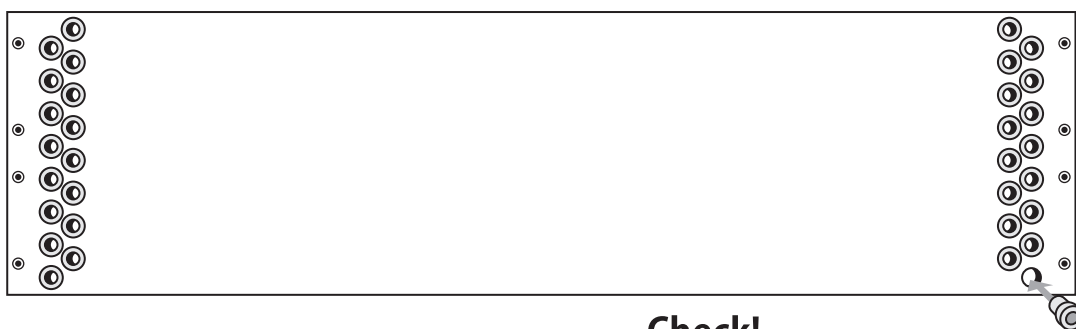
To make assembly easier use candle wax on the screws.

**Check!**

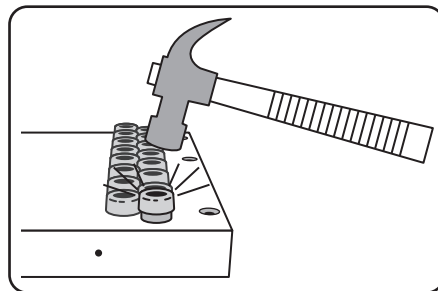
Check the directions carefully.

**1**

Tap the 32 nylon loom cord guides into the castle top.



**Check!**

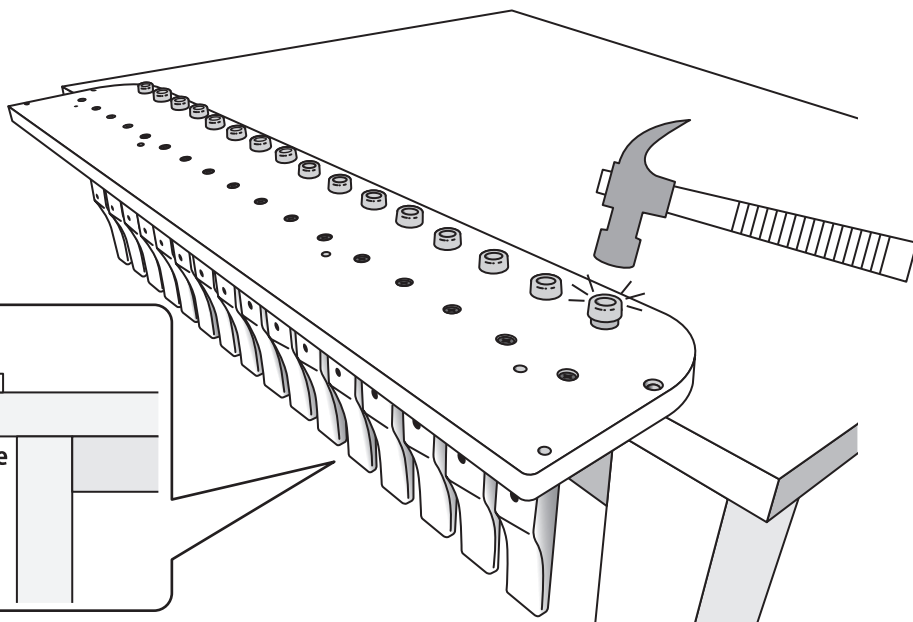
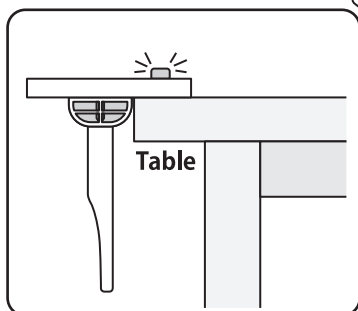


**2**

Rest the castle front on a table edge for support. Tap the nylon guides into the cord holes from the back.

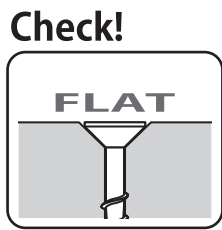
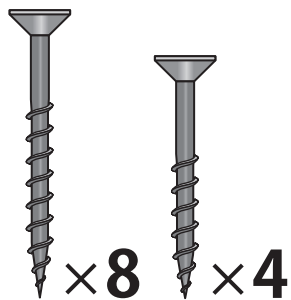
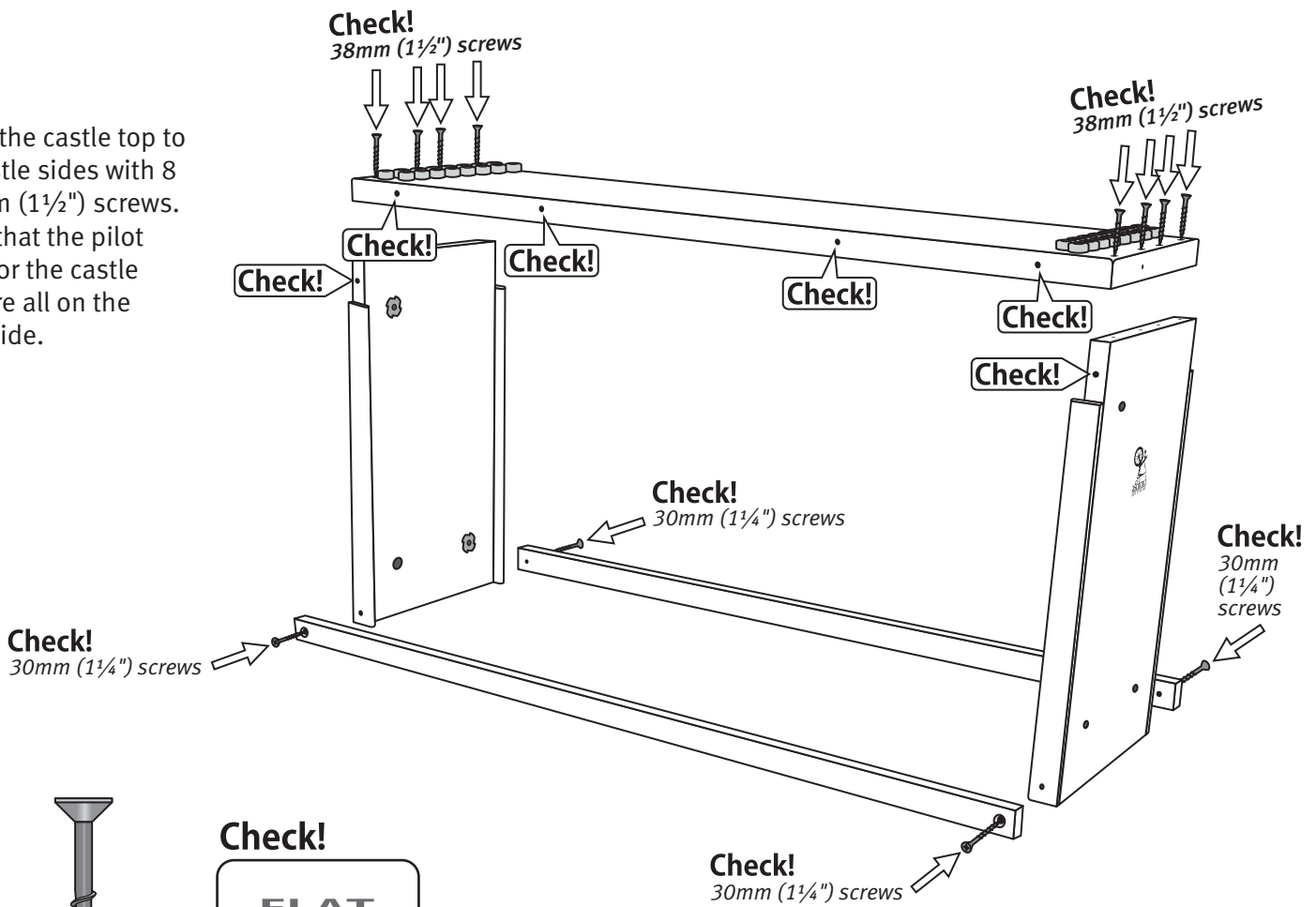


**Check!**



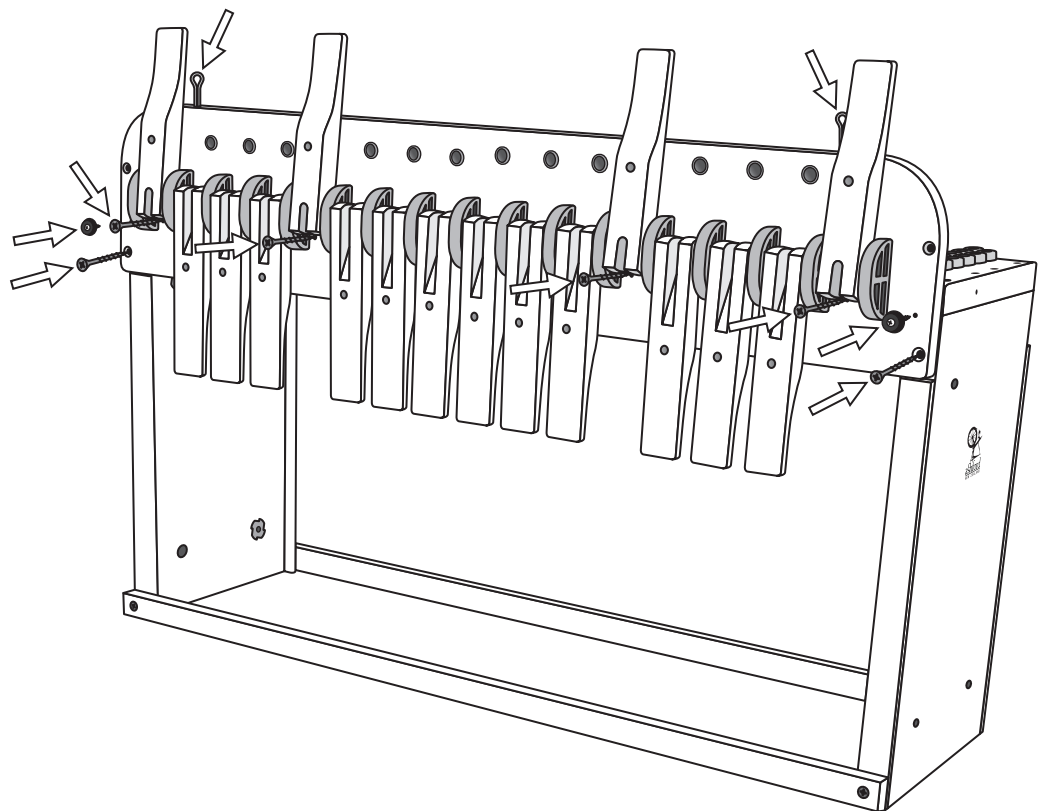
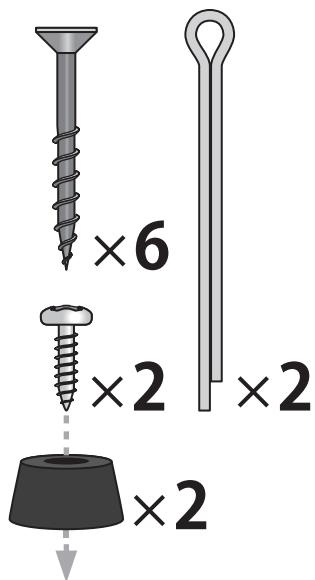
3

Attach the castle top to the castle sides with 8 x 38mm (1½") screws. Check that the pilot holes for the castle front are all on the same side.

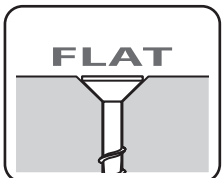


Attach the bottom cross rails to the bottom of the castle sides with 30mm (1¼") screws. Check! Only use 30mm (1¼") screws. Longer screws may damage the sides.

4



Check!

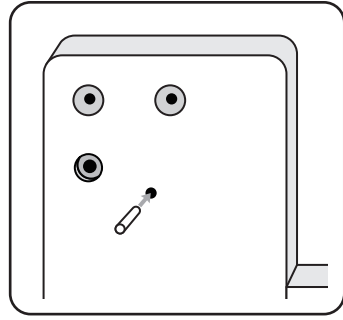


Attach the castle front to the castle top and sides with 30mm (1¼") screws. Locate the beater pins into the holes in the top of the castle front. Use these pins to lock the beater to the loom sides when warping. Attach 2 x rubber buffers to the castle front with 12mm (½") screws to protect the wood when folding the castle.

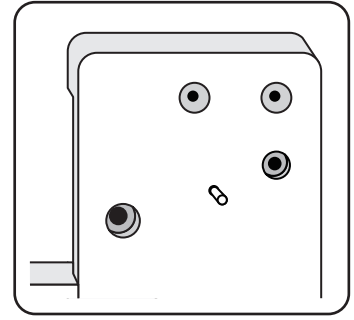
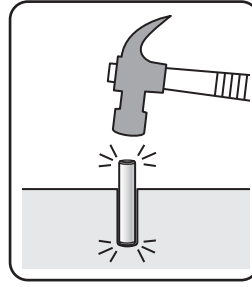
5


**NOTE: We have completed this step for you.  
Remove and discard the wooden protector blocks.**

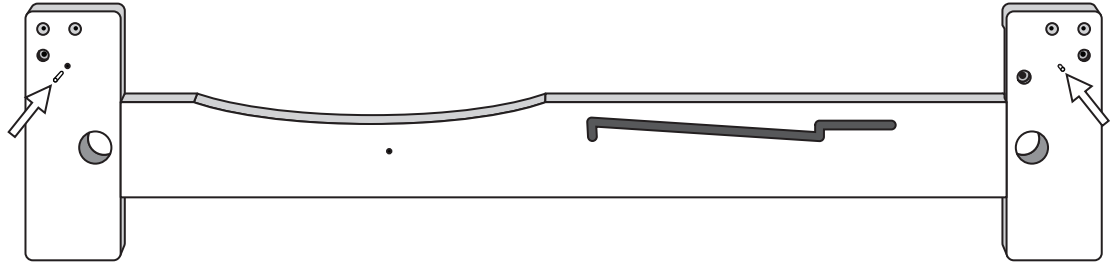
Tap the "clicker pins" for the pawls to the bottom of the holes in both sides.



**Check!**



 × 4

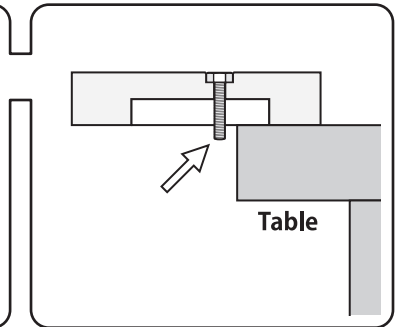
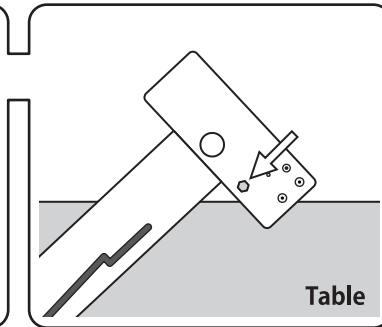
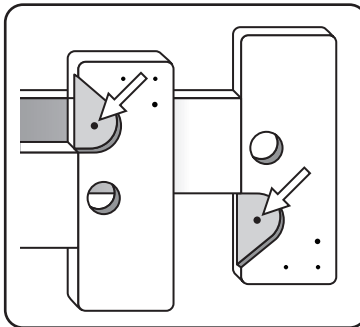



6

Rest the loom side on a table edge. Tap 25mm (1") hex head bolts through the loom sides.

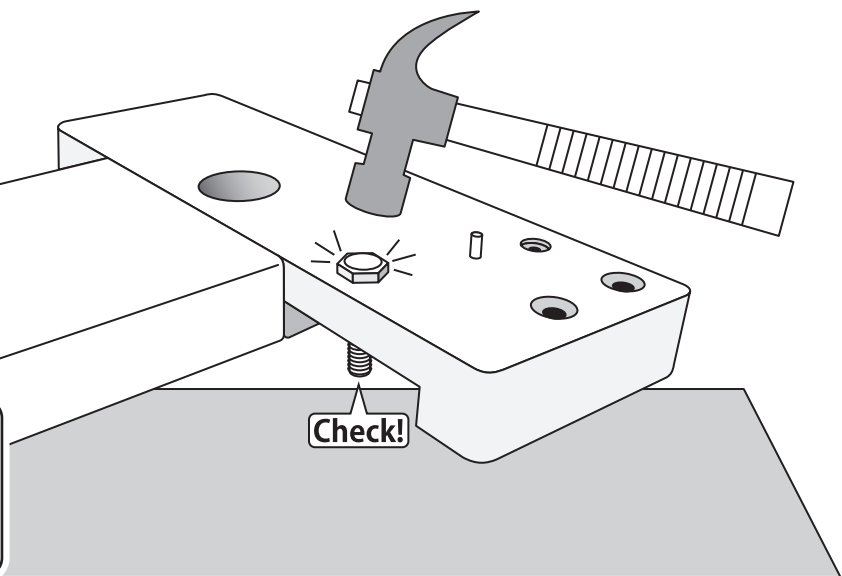
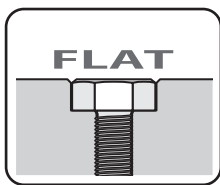
*Note: The head of the bolt MUST be level with or below the surface of the side otherwise the pawl will catch on it.*

**Check!**



 × 2

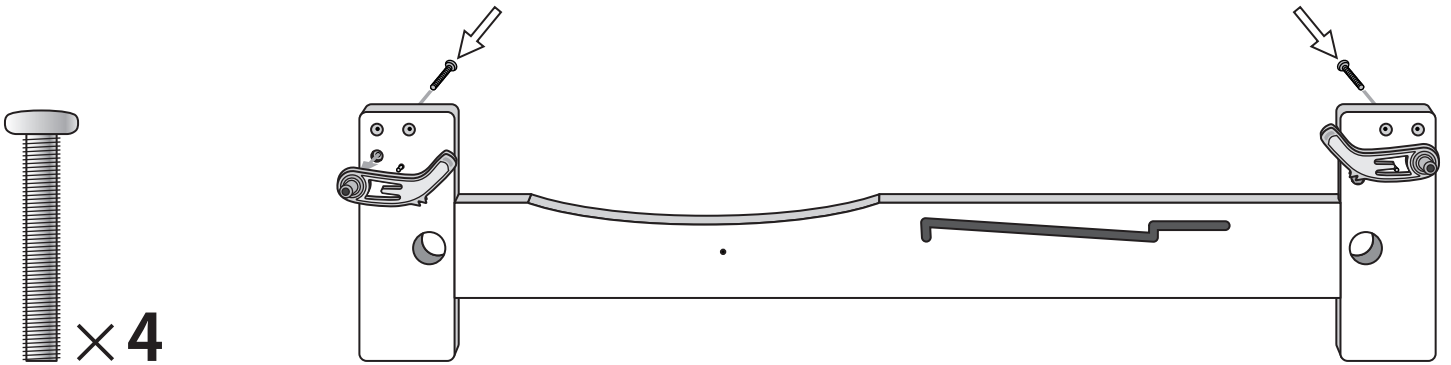
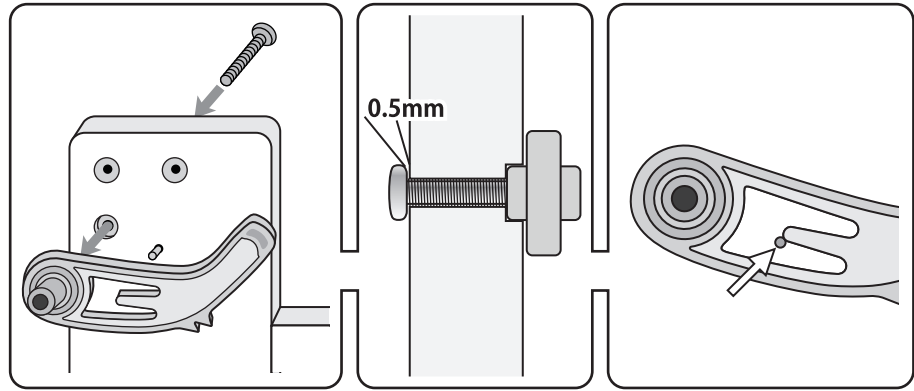
**Check!**



- 7** Attach the 4 pawls to the loom sides with 30mm (1¼") machine screws.

*Note: The "clicker pin" fits into the gap in the pawl. Take care to ensure the "clicker pin" does not damage your table. Rub a little candle wax on the thread of the screws to make assembly easier. Leave 0.5mm (1/32") gap under the head of the bolt. DON'T over tighten. The pawl should move freely.*

**Check!**



- 8** Rub candle wax on the dowel ends of the rollers. Place the rollers into the holes in the loom sides. Attach the front and back beams to the sides with 50mm (2") screws. Check the round edge of the beams face out.

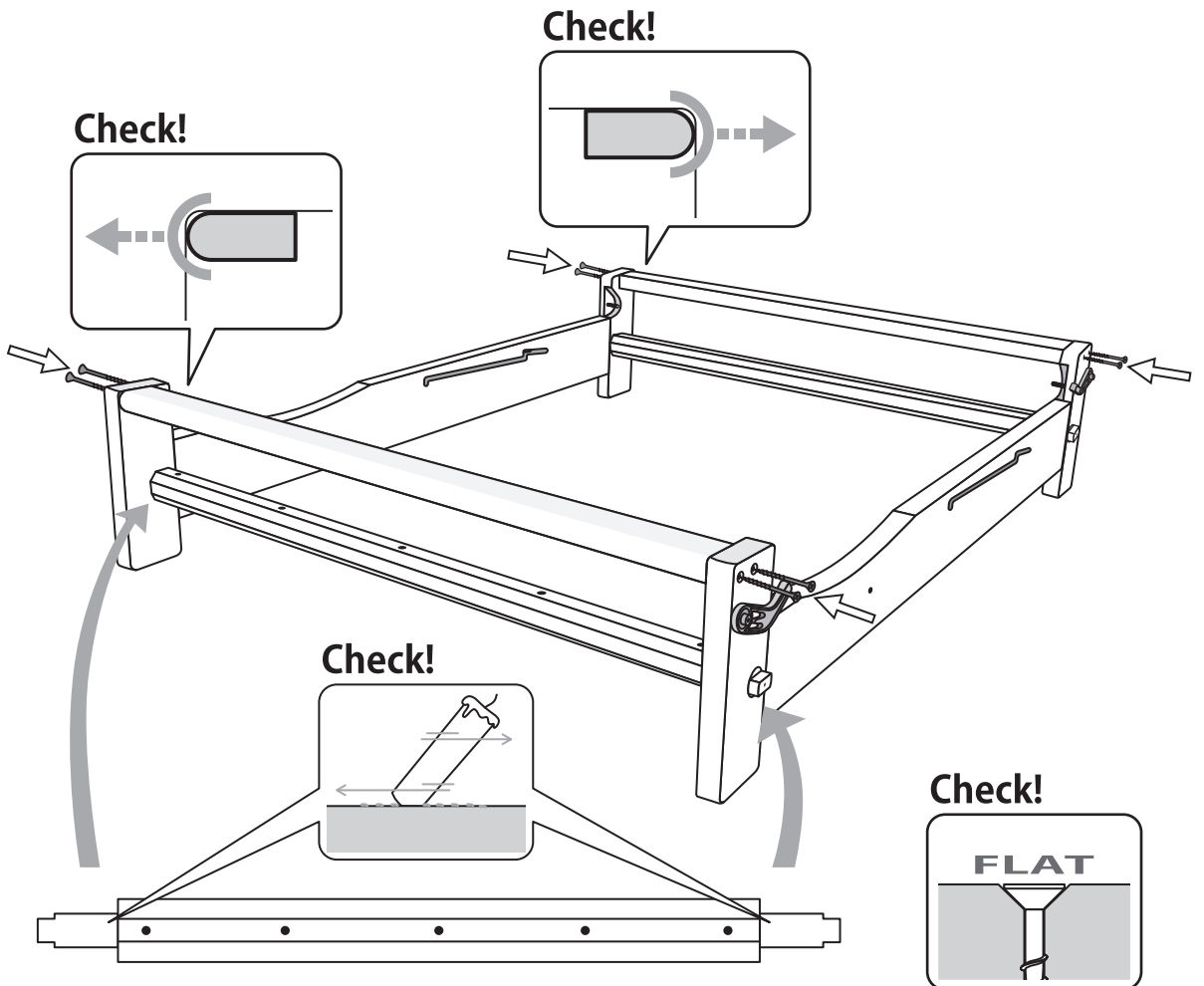
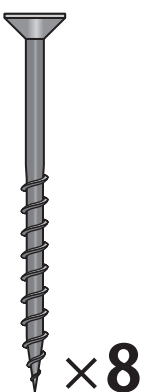
**Check!**

**Check!**

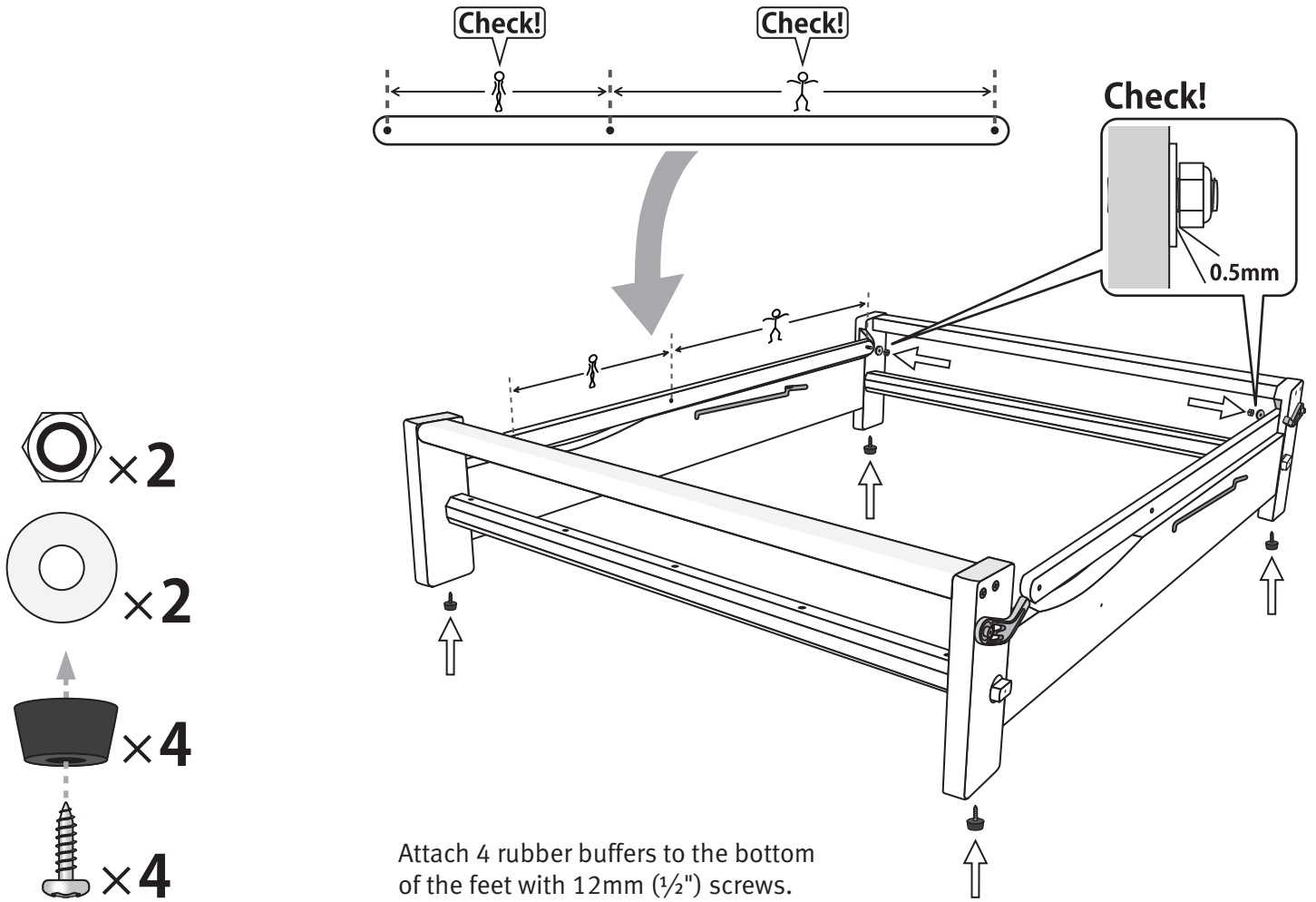
**Check!**

**Check!**

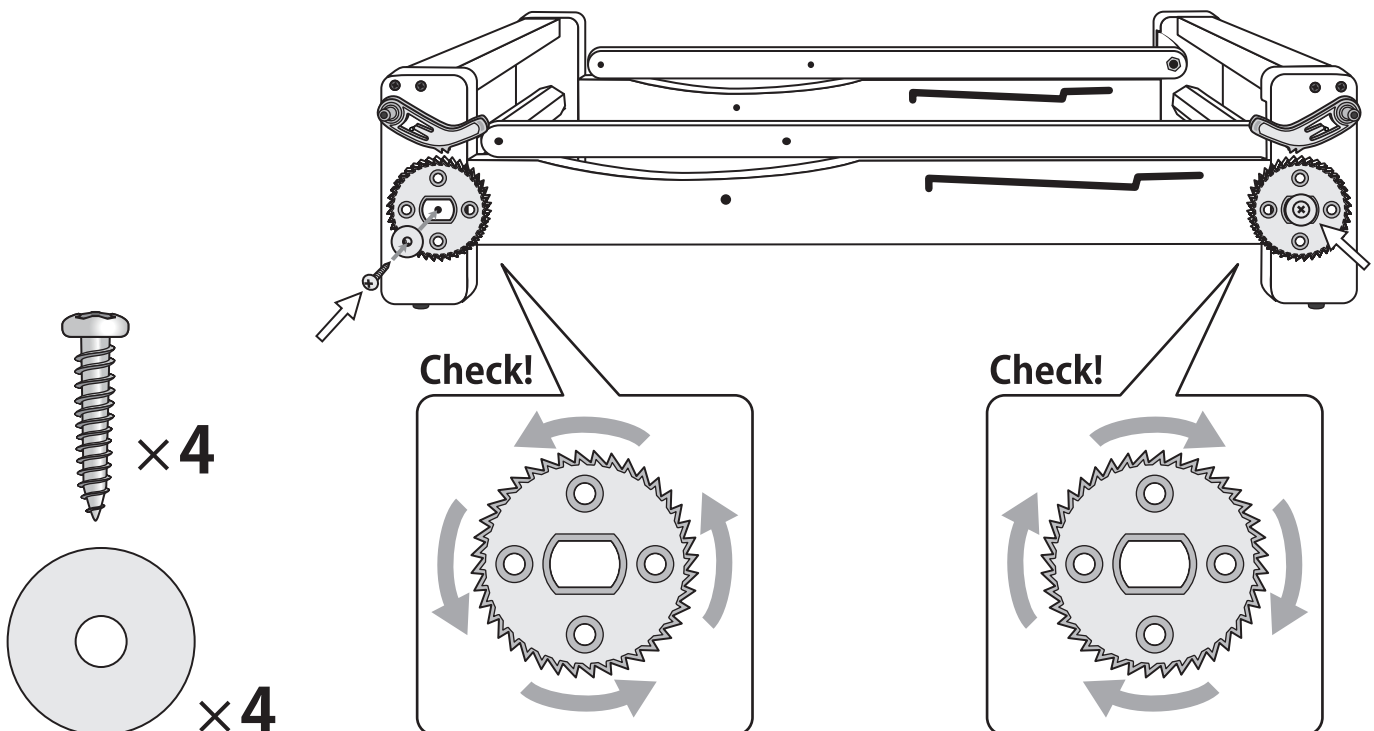
**FLAT**



- 9 Check the diagonal support arms are the correct way around, locate them onto the bolts and secure with washers and nuts. Leave a 0.5mm (1/32") gap under the nut so the arm can move freely.

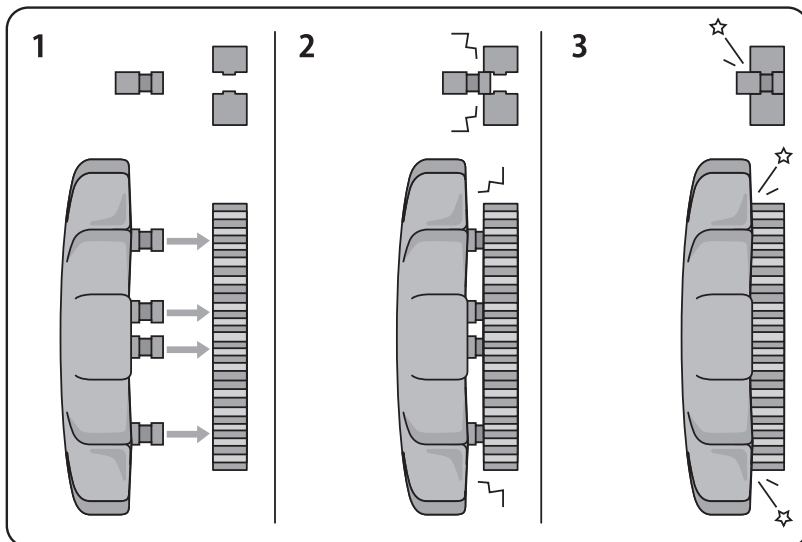
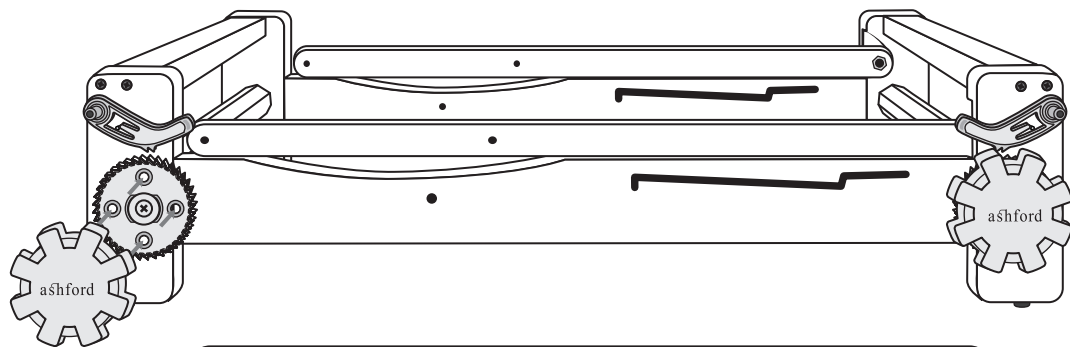


- 10 Place the cogs onto both ends of the rollers. Check the teeth engage the pawl. THEN secure with washers with small holes and 25mm (1") screws.



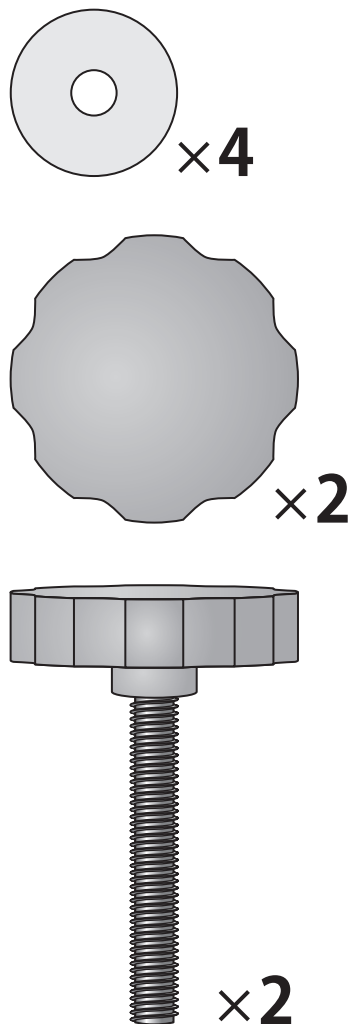
11

Locate the 4 pins on the handles into the 4 holes in the cogs. Then give the handles a sharp hit with your fist so they snap down tight onto the cogs.

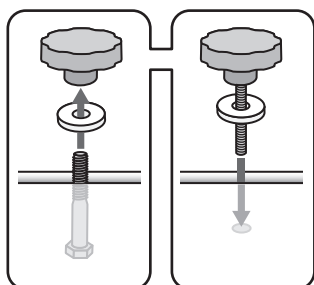


12

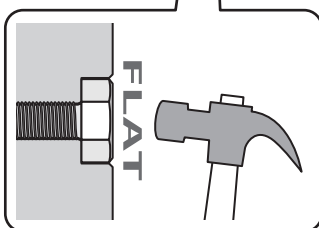
Place the castle inside the frame and attach with 40mm (1½") hex head bolts, washers and nylon knobs. Tap the heads of the bolts into the counter bored hole in the inside of the castle side and tighten the knobs until the heads of the bolts are level or below the surface of the castle side. Otherwise the end of the heddle frames will catch on them.



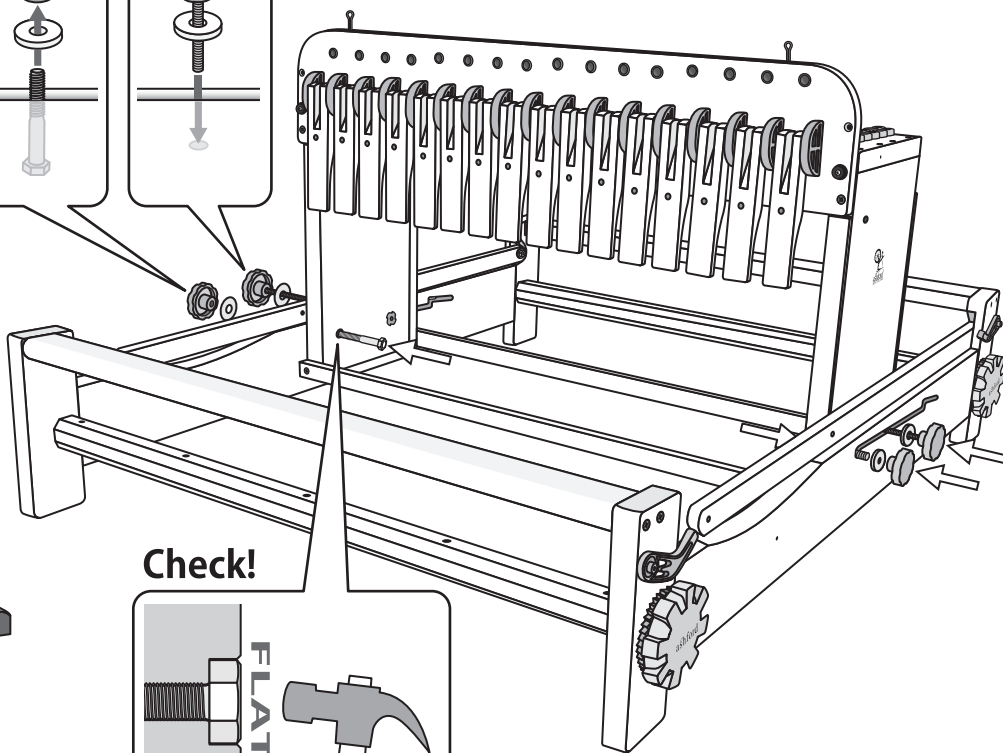
Check!



Check!



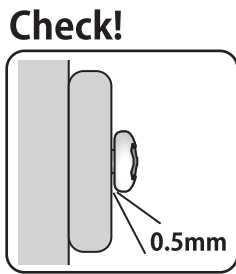
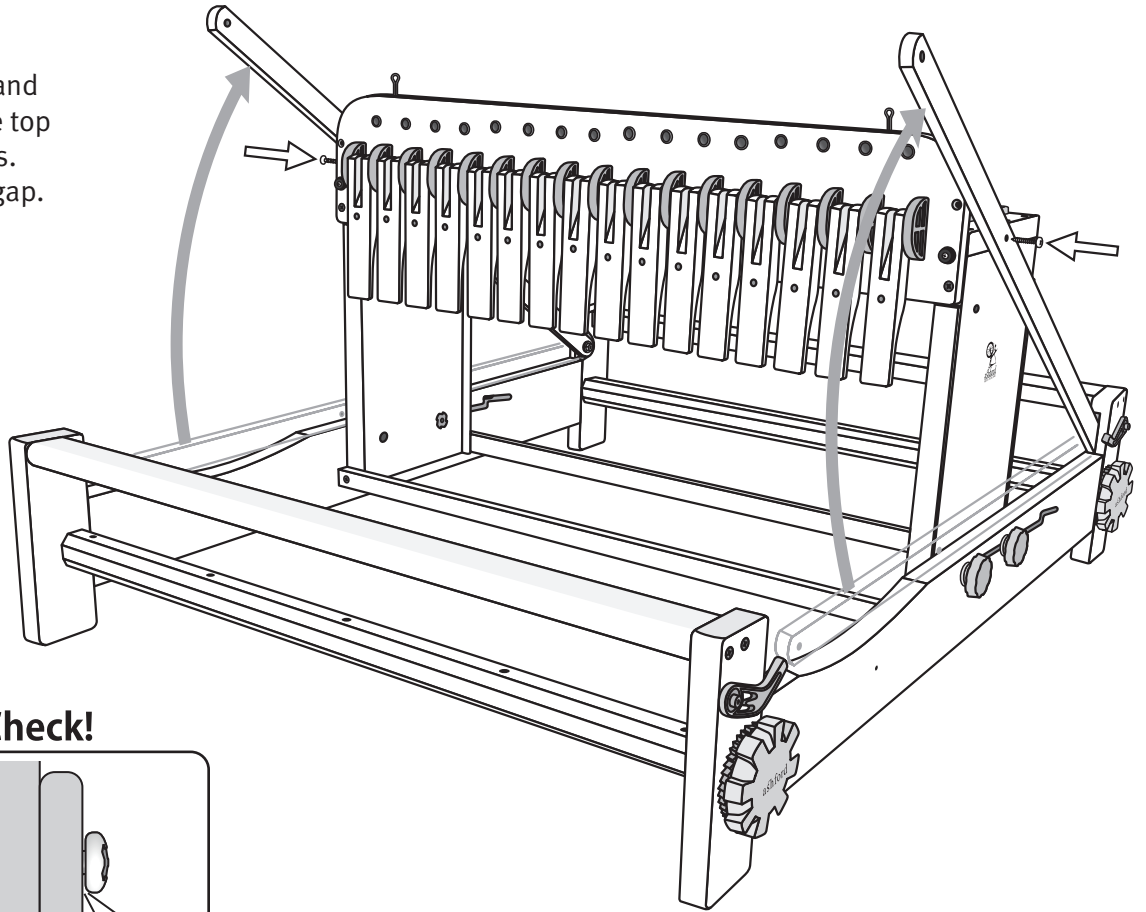
Place a washer onto the nylon knobs with the thread rod, thread them through the slot in the loom side and into the nuts inserted into the rear of the castle sides.





13

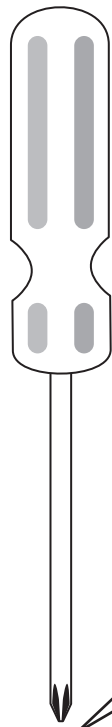
Lift the support rails up and attach them to the castle top with 30mm (1 1/4") screws. Leave a 0.5mm (1/32") gap.



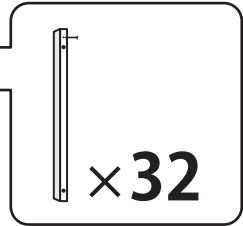
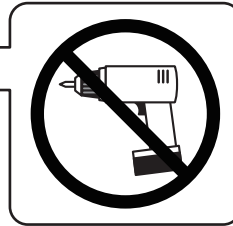
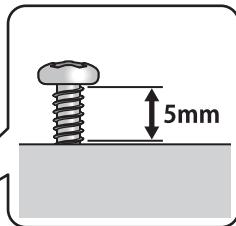
14

Thread the screws into the heddle frame ends using a hand held screwdriver and leave a 5mm (3/16") gap to loop the Texsolv nylon cord over.

*Note: Do not use an electric screwdriver as it can drive the screws in too far and crack the heddle frame ends.*



Check!

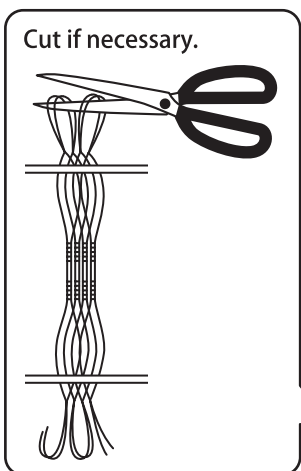




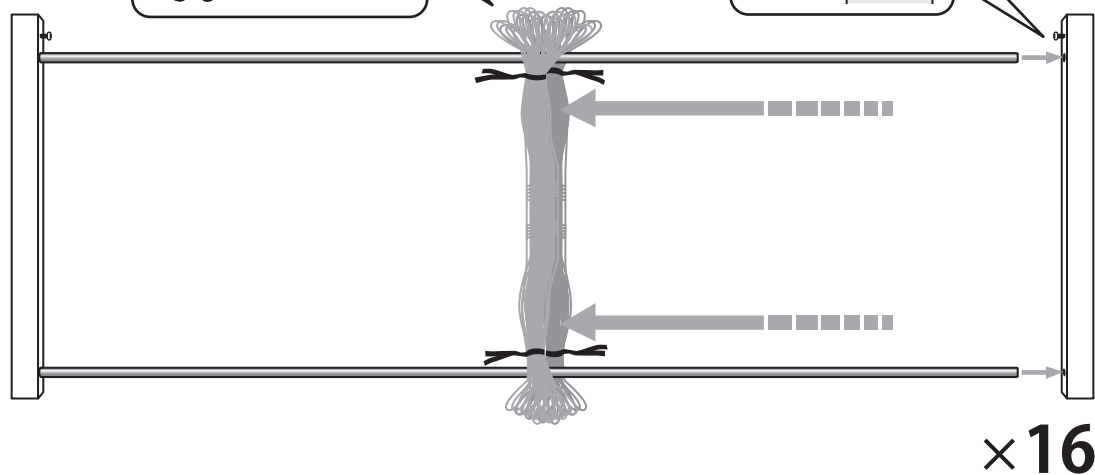
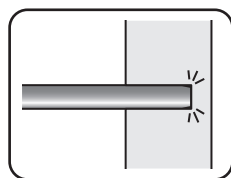
15

Push the metal bars into one heddle frame end, slide 2 bundles of Texsolv heddles over the bars and push the other end in place. Only then remove the plastic ties. If necessary, cut the Texsolv heddles to separate them. Lay each heddle frame on a flat surface and check the two ends are parallel.

Check!



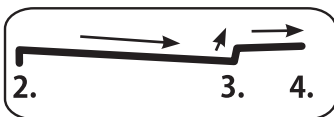
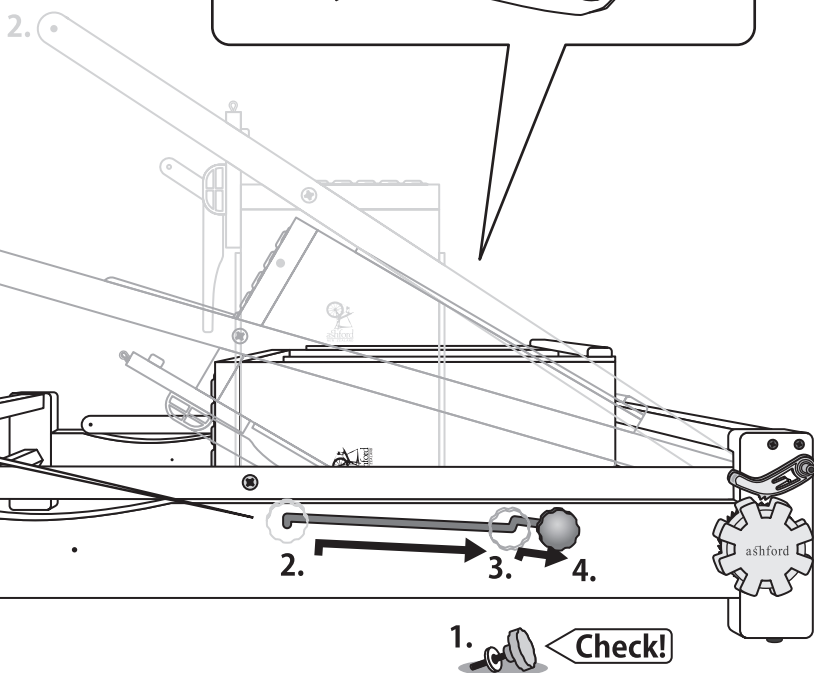
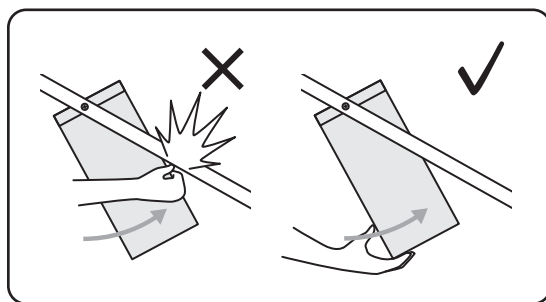
Check!



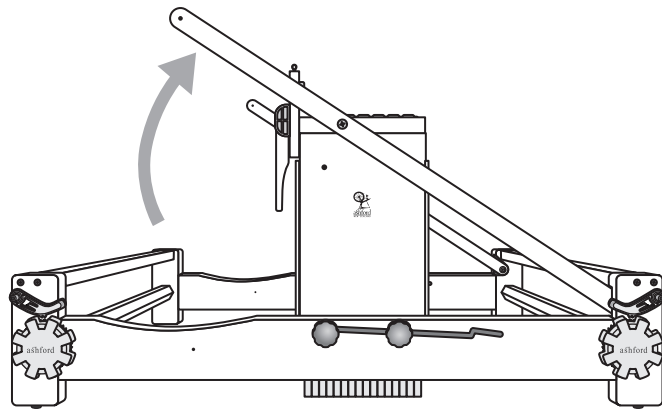
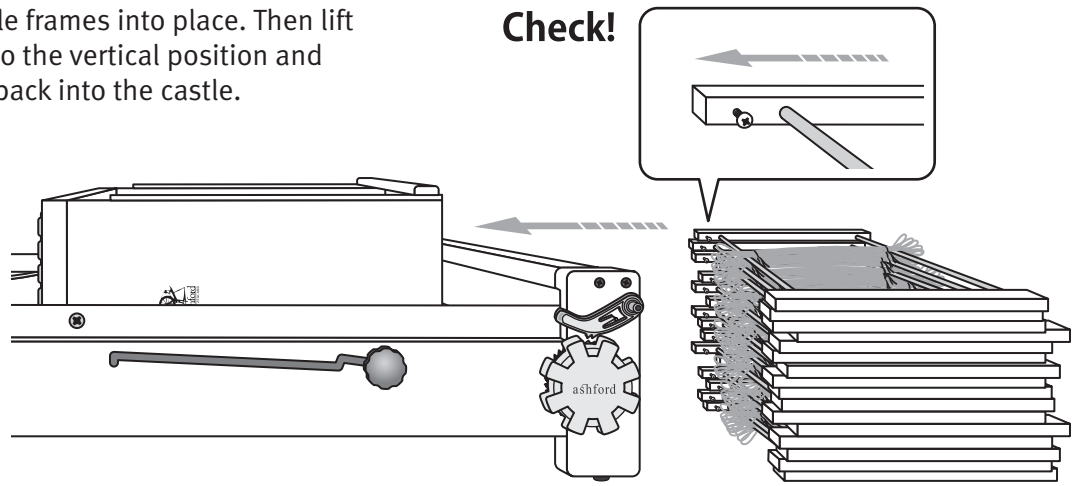
16

Remove the 2 knobs threaded into the rear of the castle. Lift the castle and fold it flat. Be careful to hold as directed so you don't jam your fingers. The groove in the side has a two stage path - this is a safety feature so the loom doesn't fold too quickly. DO NOT force the loom from position 3 into position 4. Lift the castle carefully up the groove before sliding back.

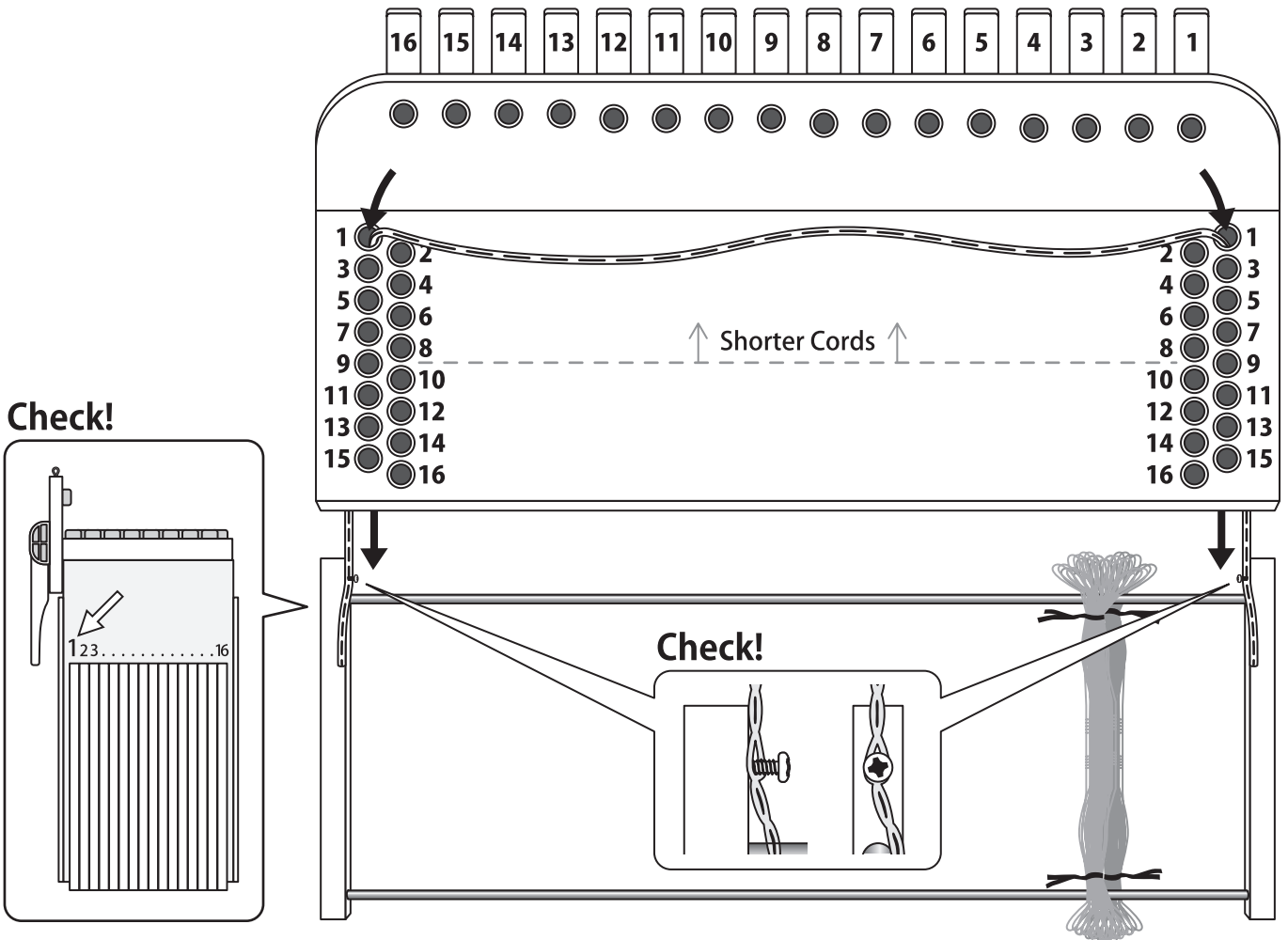
Check!



- 17** Slide the 16 heddle frames into place. Then lift the castle back into the vertical position and thread the knobs back into the castle.



- 18** There are 2 different lengths of Texsol cord to attach the heddle frames to the handles. Use the shorter lengths for the front 8 heddle frames. Start with the front heddle frame (1) and lever (1) as shown. Then repeat for all the heddle frames until the back heddle frame (16) is attached to the lever (16).

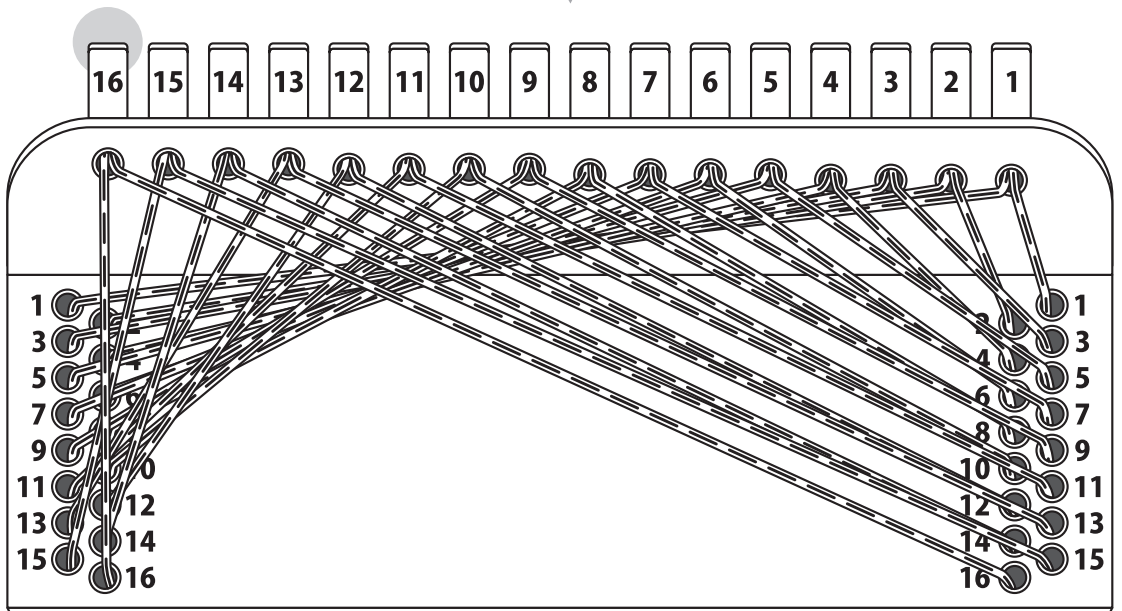
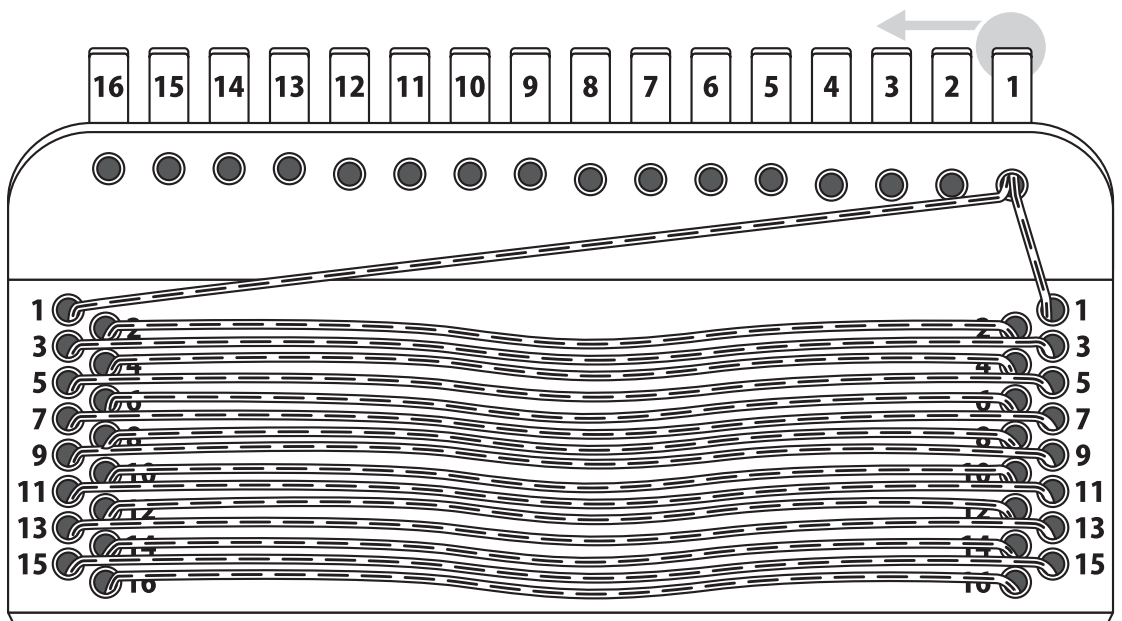
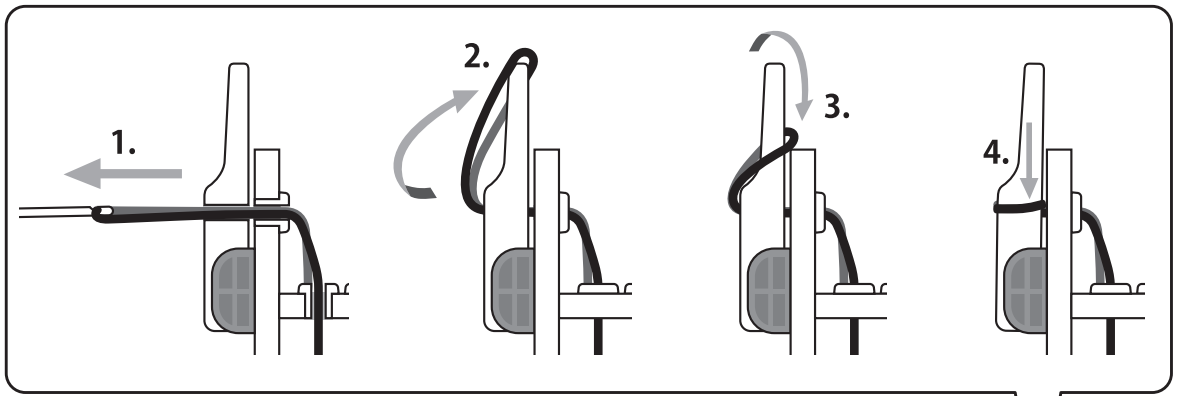


19

Use the threading hook.

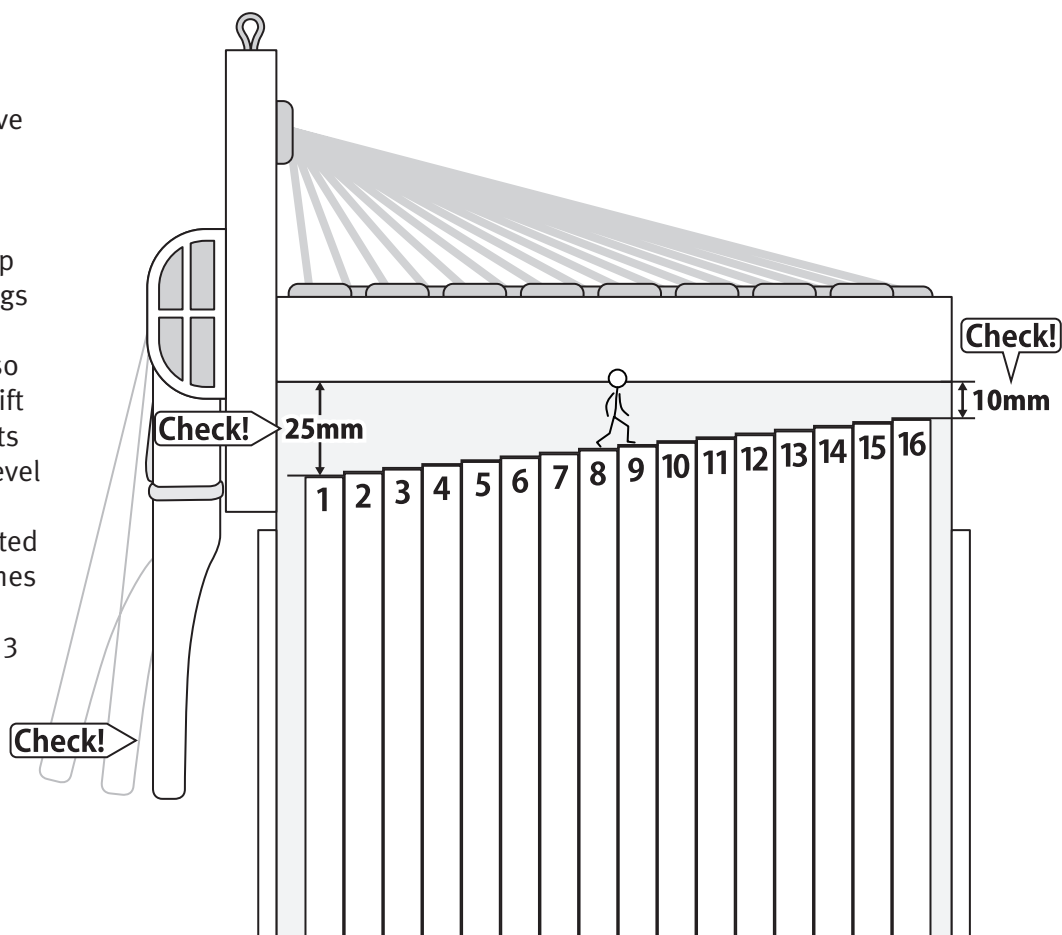
*Note: If necessary, slide the cord around the handle until the heddle frame hangs level.*

### Check!



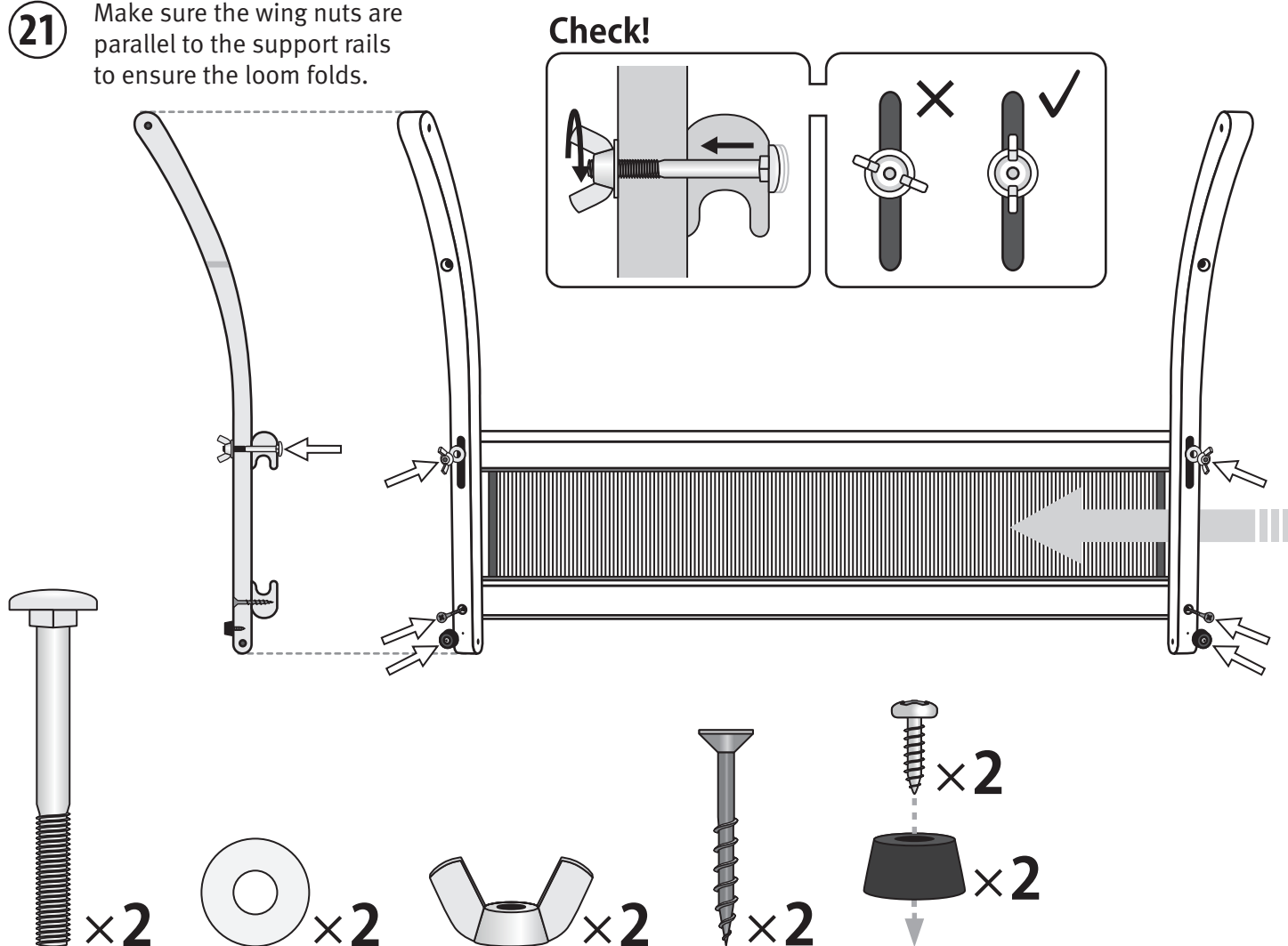
20

Once all the heddle frames have been attached, re-adjust the Texsolv cords so that the front heddle frame hangs approx 25mm (1") below the castle top and the rear heddle frame hangs approx 10mm (1/2") below. The holes in the levers are drilled so that the back heddles frames lift more than the front. This results in all the warp threads being level when the levers are in the rest position. Once you have adjusted the position of the heddle frames to your satisfaction, you may choose to cut the cord at least 3 slots from the screw head.



21

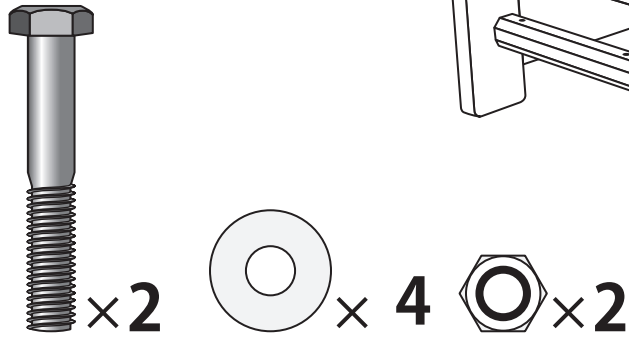
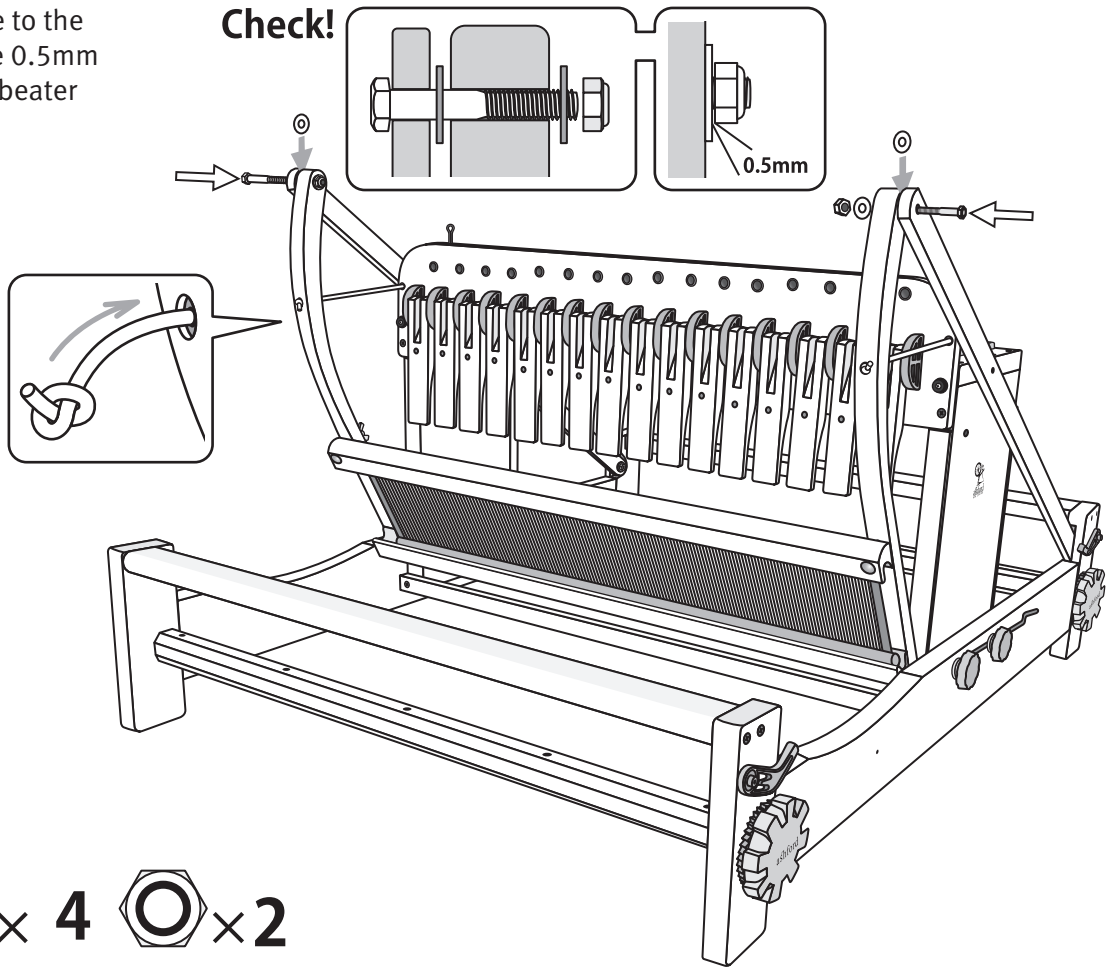
Make sure the wing nuts are parallel to the support rails to ensure the loom folds.



- 22** Attach beater frame to the support rails. Leave 0.5mm (1/32") gap so the beater can swing freely.

*Note: If the beater frame rubs against the loom sides loosen the wing nuts and retighten. Stretchy cord - knot the cord at one end, slide through the hole in the beater support rail, the hole in the castle front and knot the other end.*

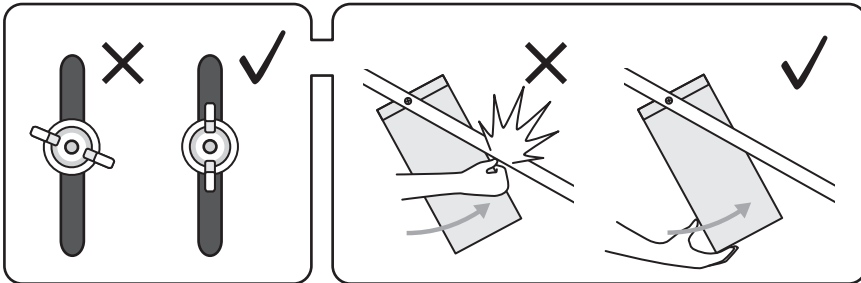
**Check!**



## HOW TO FOLD

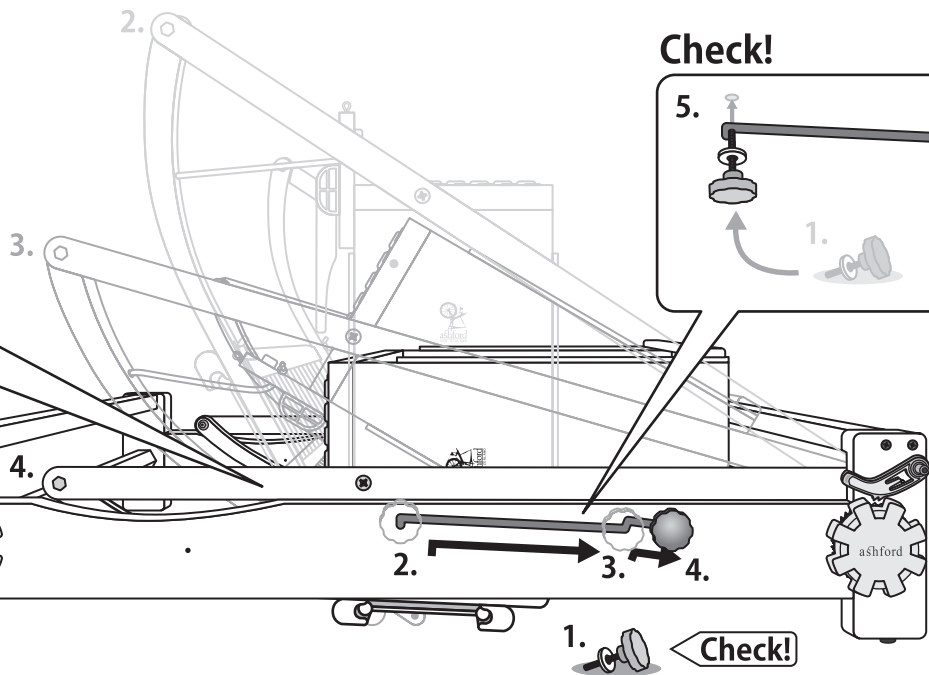
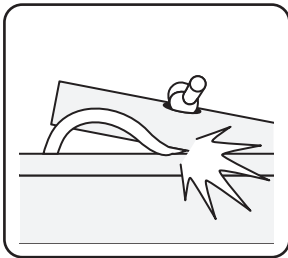
To fold the castle, loosen the front knobs slightly and completely remove the back knobs. Lift and slide the castle down the slots. When it reaches the safety stop, lift the bottom of the castle again and allow it to fold down completely. Then insert the knobs back through the slot and into holes near the top of the castle side and tighten. This will ensure the castle is well supported when transporting the loom.

**Check!**

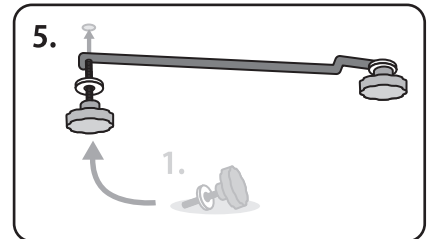


lift the bottom of the castle again and allow it to fold down completely. Then insert the knobs back through the slot and into holes near the top of the castle side and tighten. This will ensure the castle is well supported when transporting the loom.

**Check!**



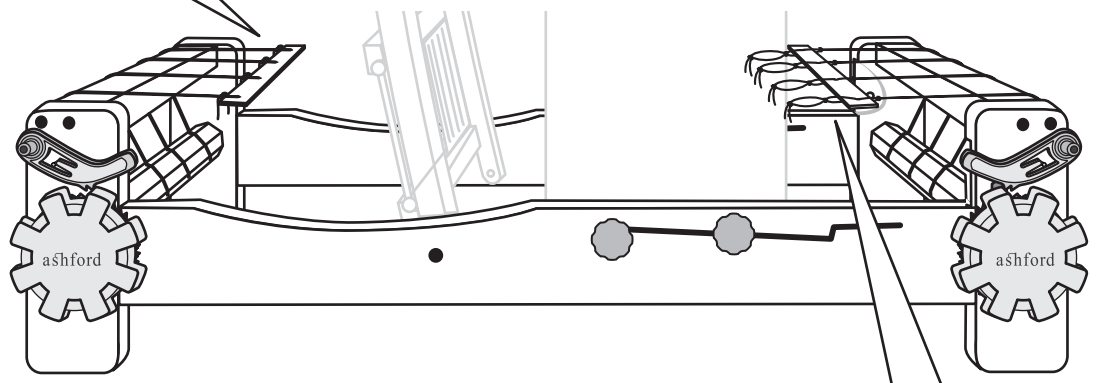
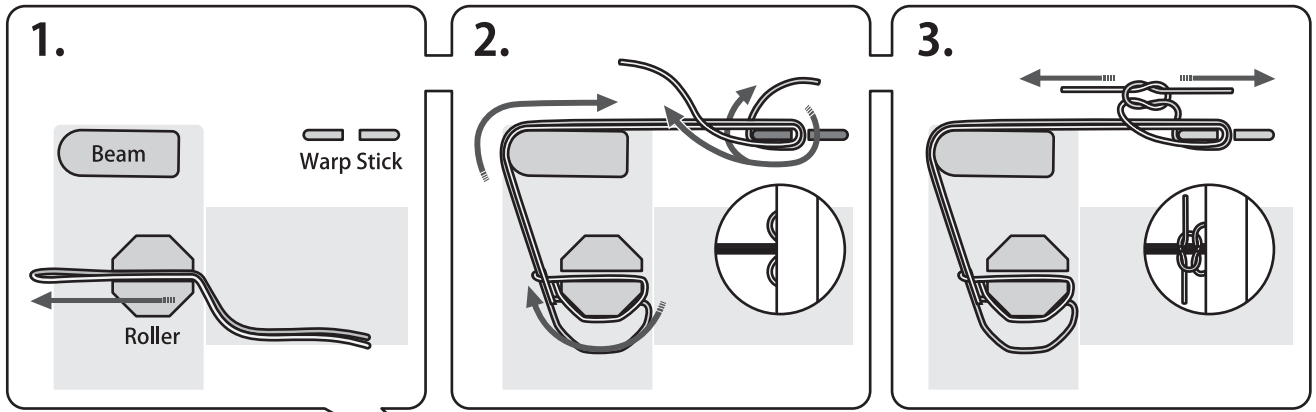
**Check!**



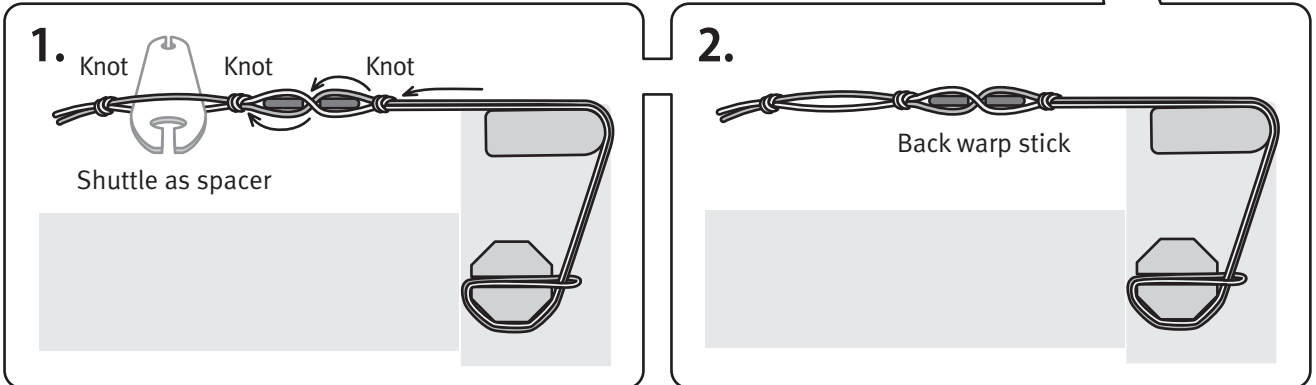
**1. Check!**

**23** Tie the front and back warp sticks to the front and back rollers. Tie the loops onto the back warp sticks as illustrated. Refer to step 14 and 15 of the learn to weave on the table loom booklet for attaching warp to loom.

**Tying on the front warp stick**



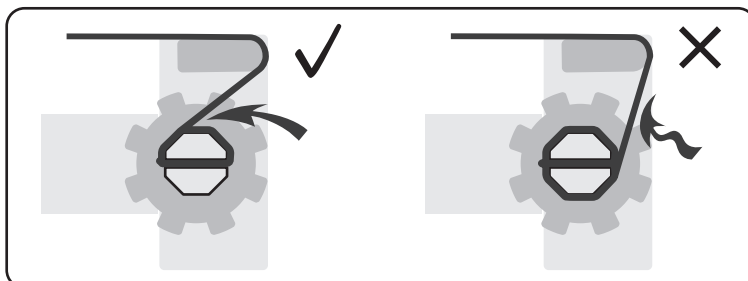
**Tying on the back warp stick**



**24**

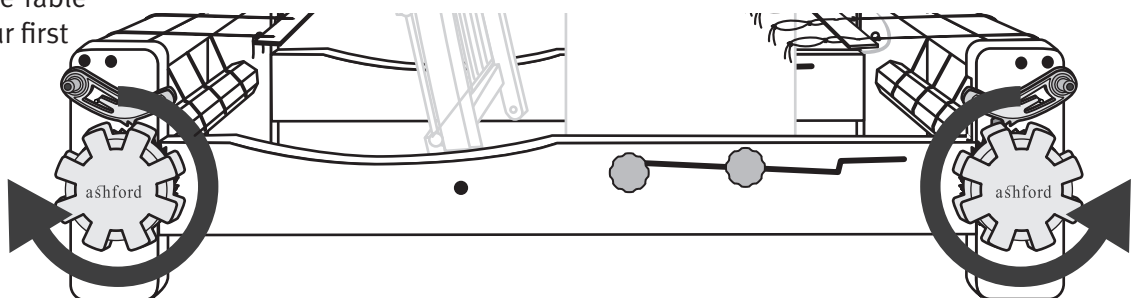
**Check!**

To release the warp tension to advance the warp, turn the handle slightly and then lift the pawls on both ends out of the teeth.



Now follow the easy step by step "Learn to weave on the Table Loom booklet" for your first woven sample!

Happy weaving!





Real Scale Hardware List

