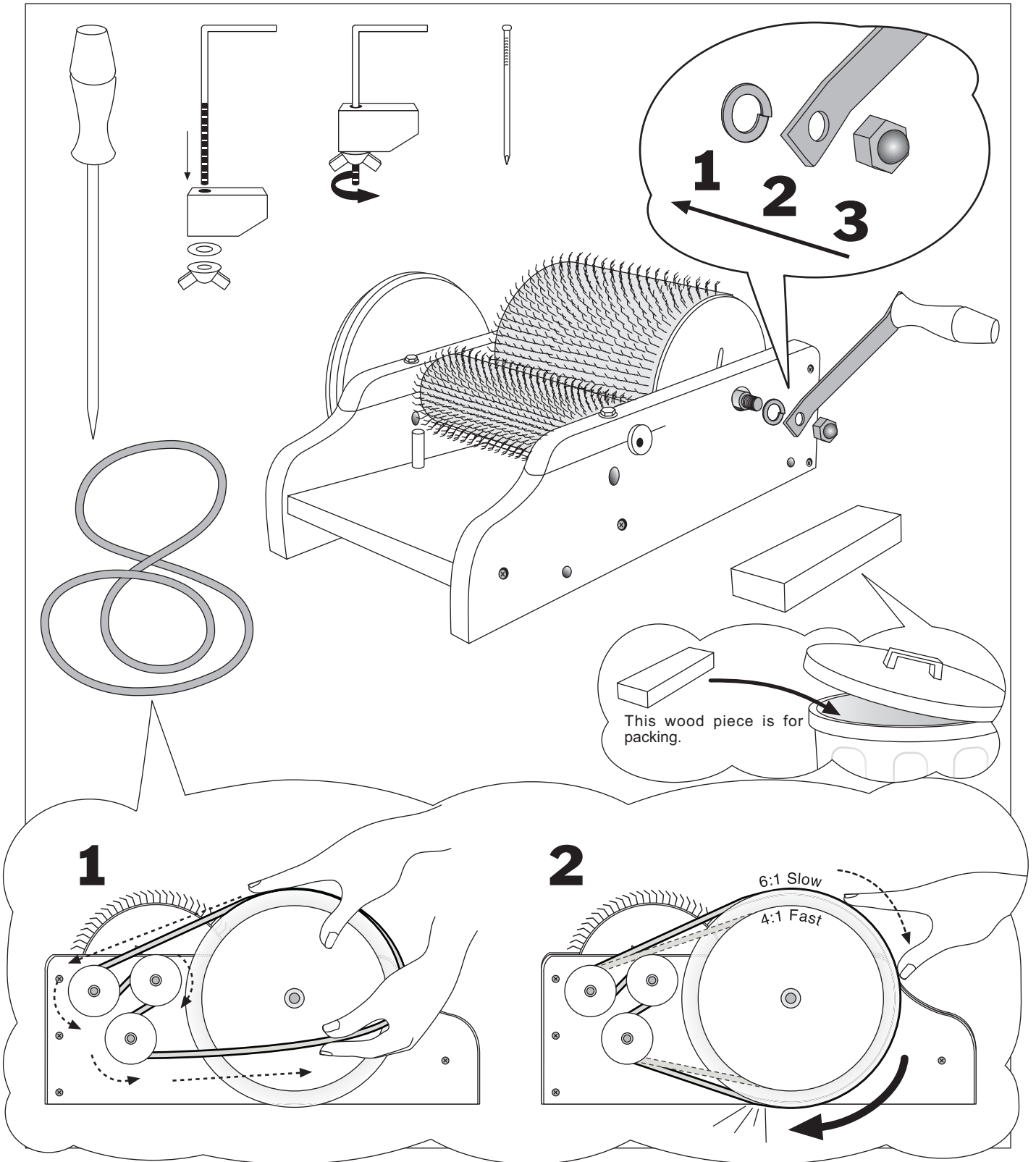
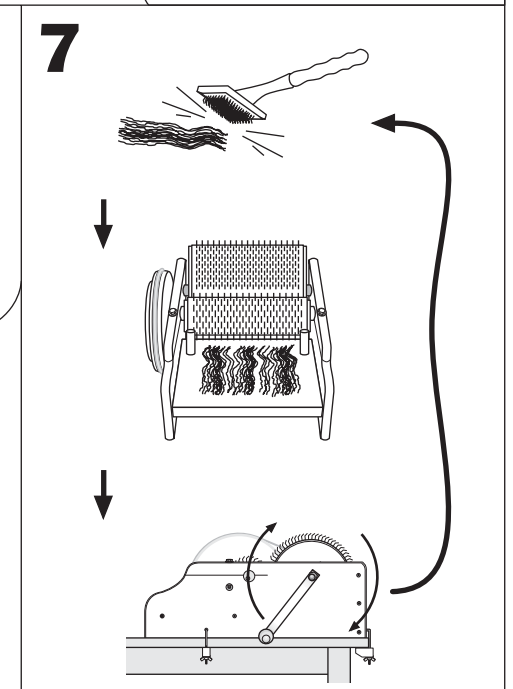
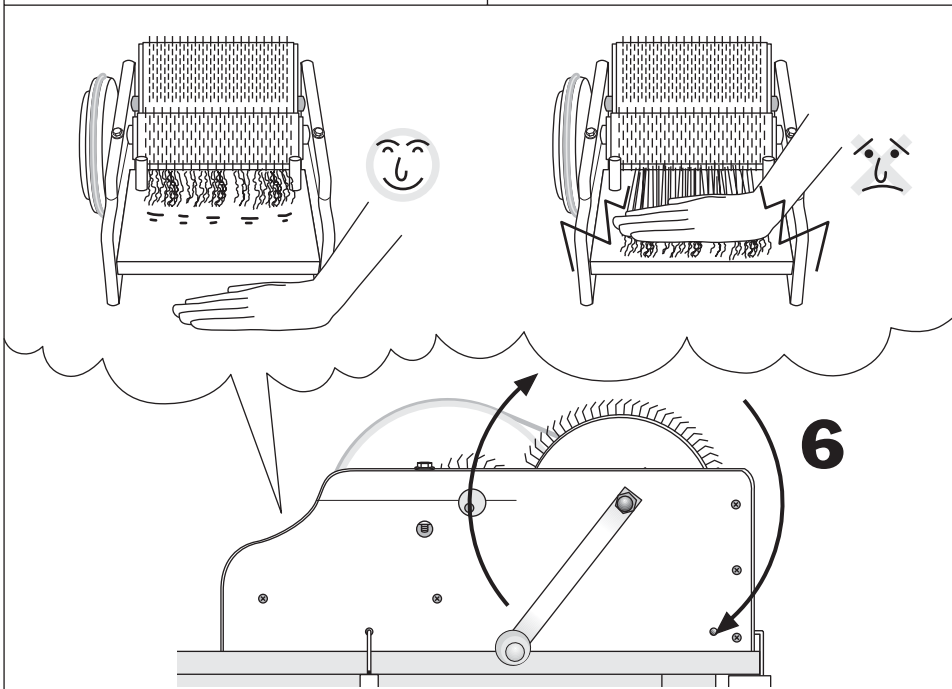
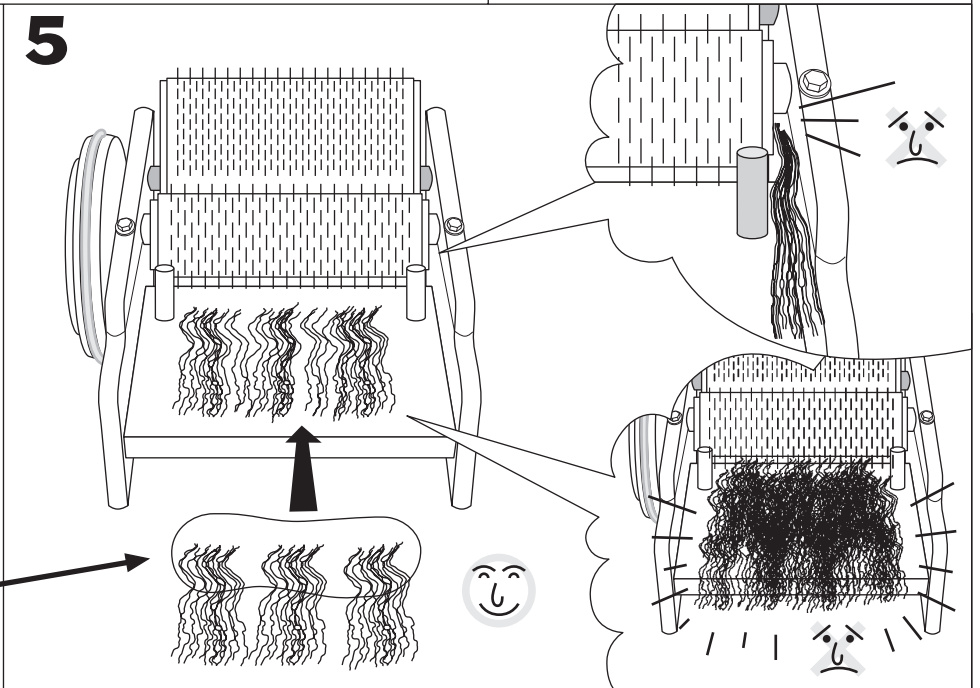
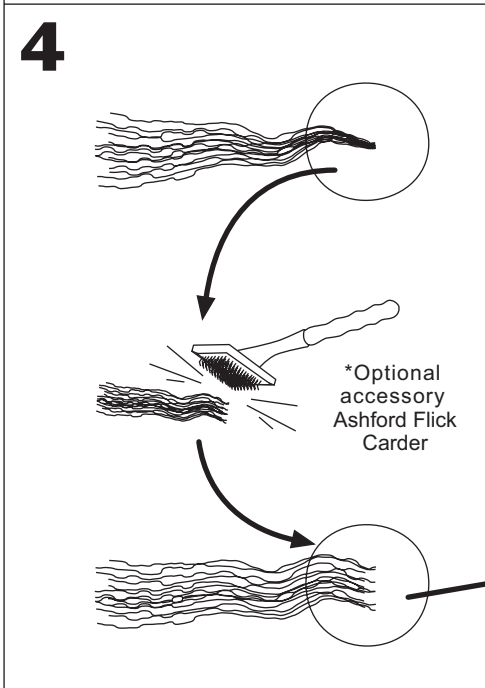
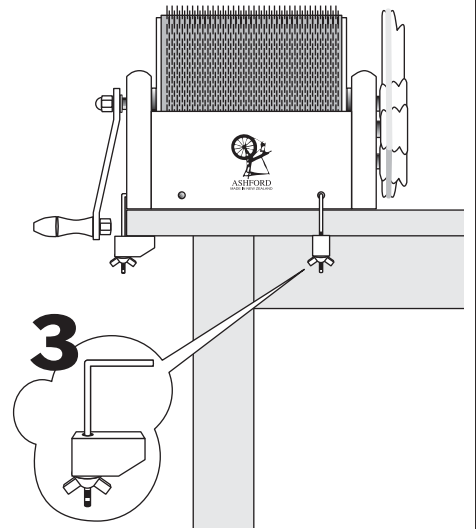
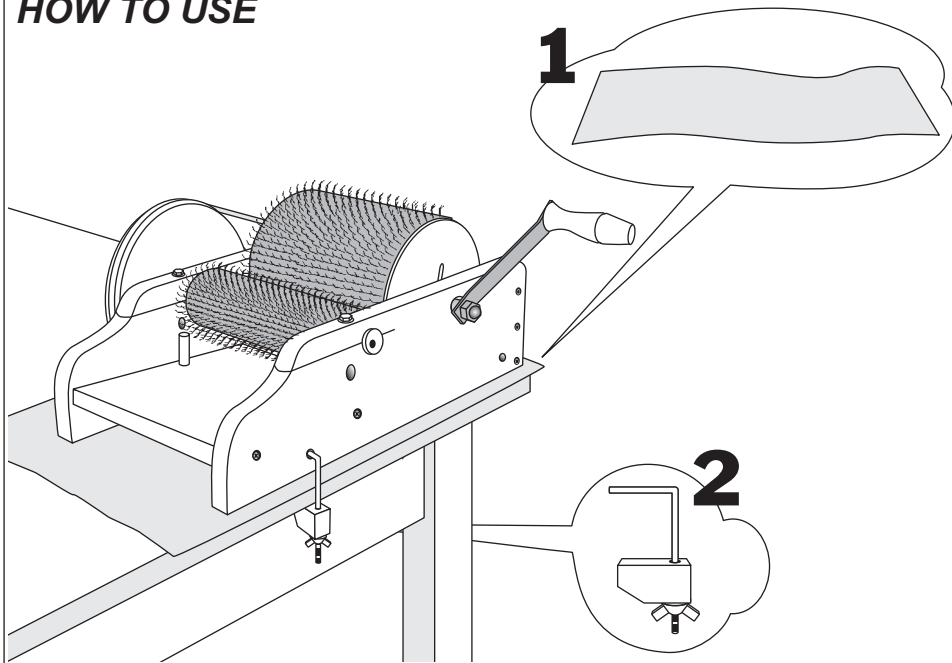


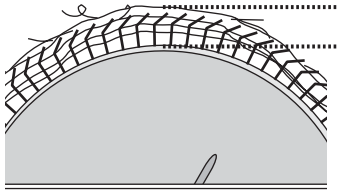
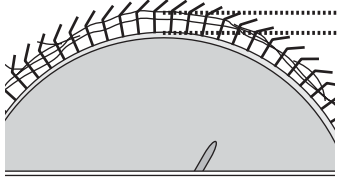
THE ASHFORD 2 SPEED DRUM CARDER



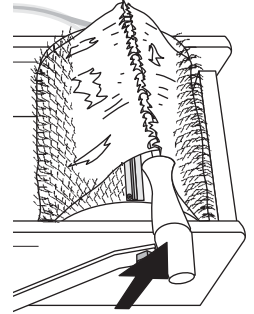
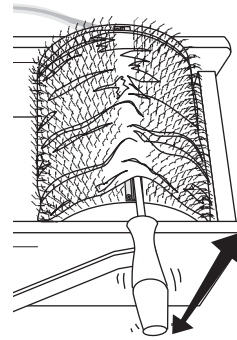
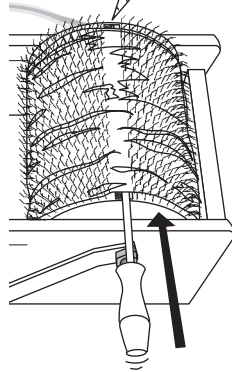
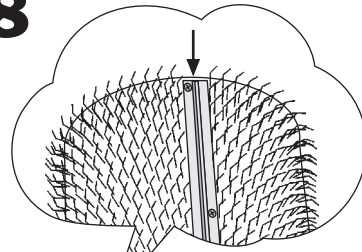
HOW TO USE



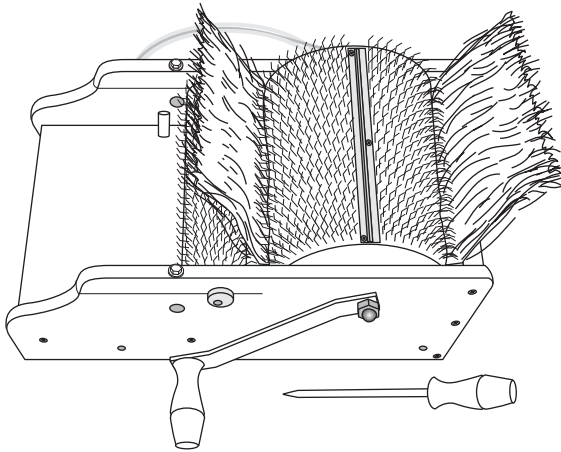
CHECK!



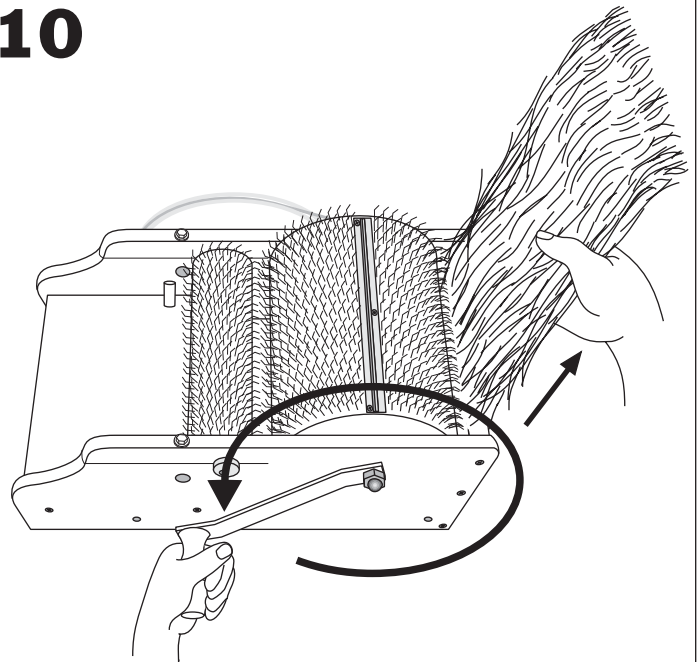
8



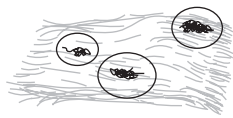
9



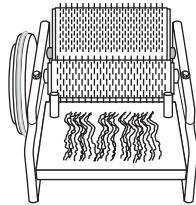
10



Hints!

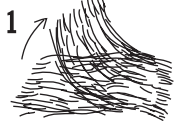
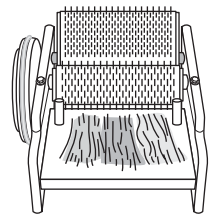


Second Carding

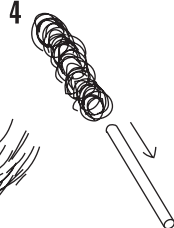


Ashford Rainbow sliver

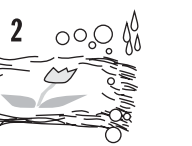
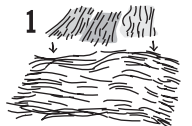
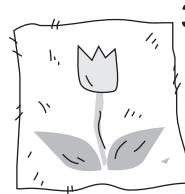
Mixing Colours



Rolags

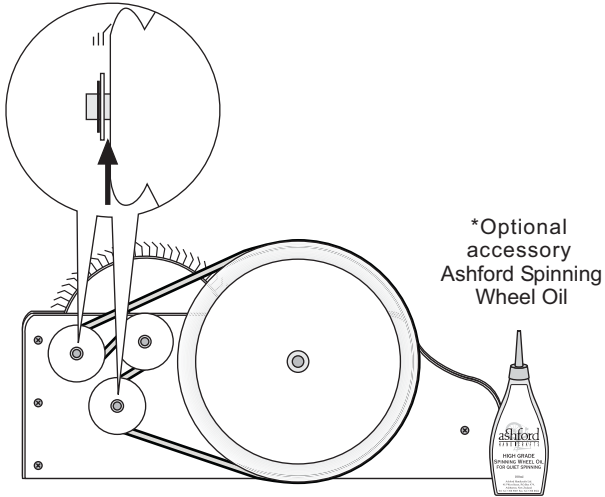


Felting

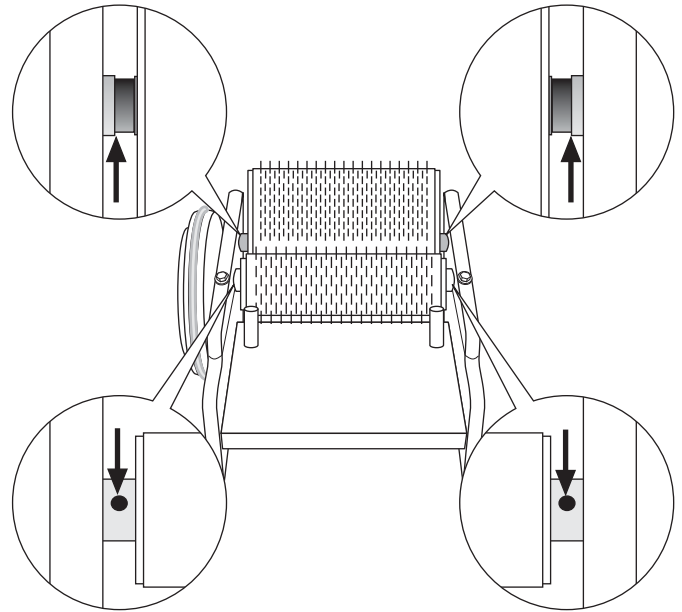


MAINTAINING

Oil

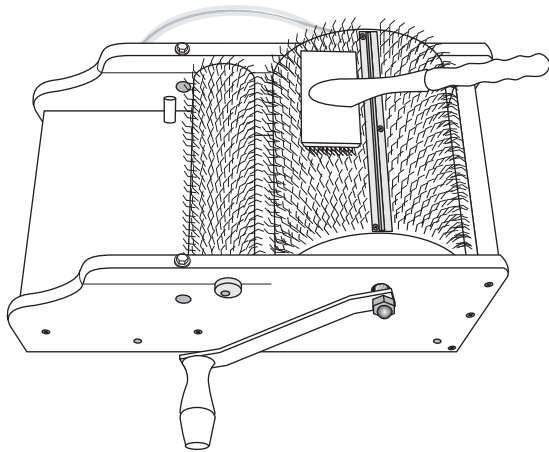


Oil

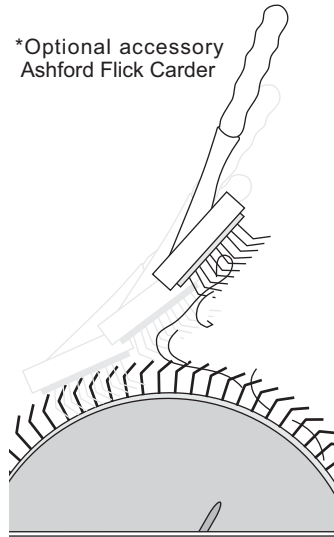


Cleaning

-Carding cloth-



*Optional accessory
Ashford Flick Carder

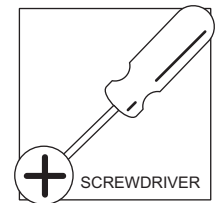
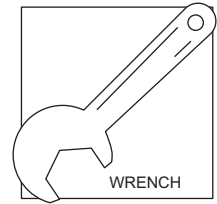


Cleaning

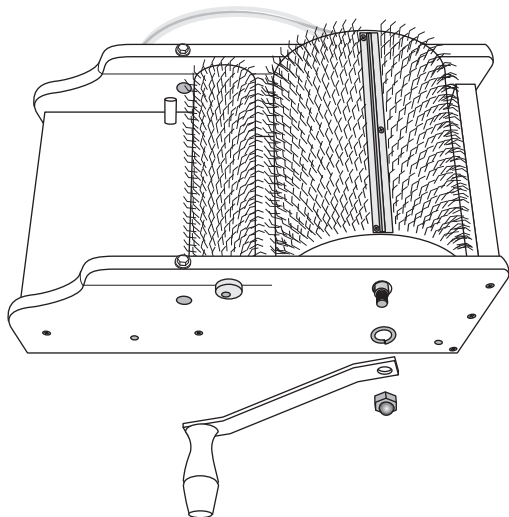
-Drum shafts-

If you find the handle
hard to turn

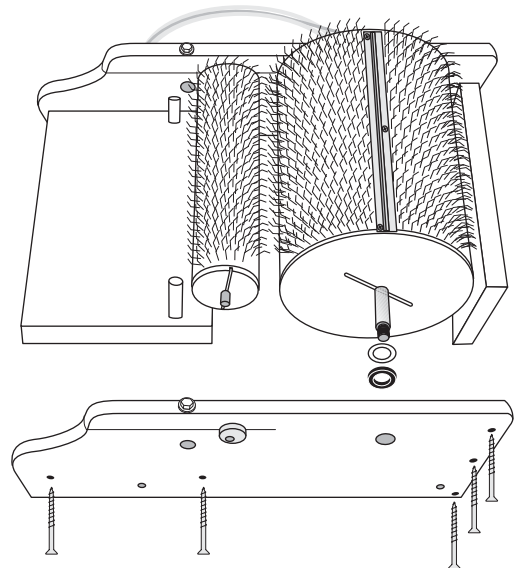
You will need ...



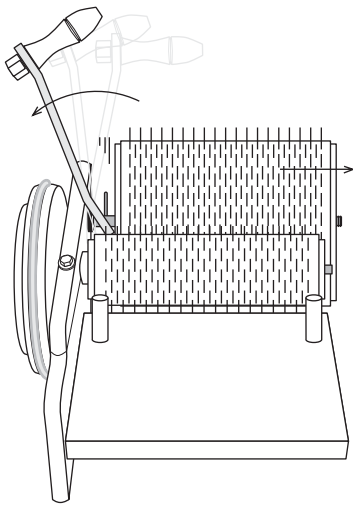
1



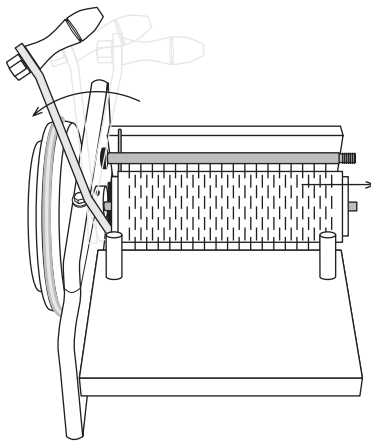
2



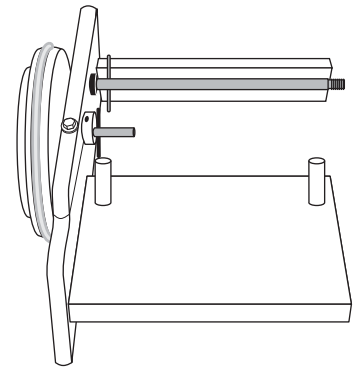
3



4

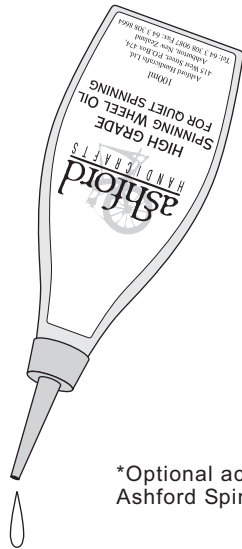


5



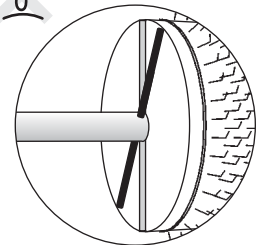
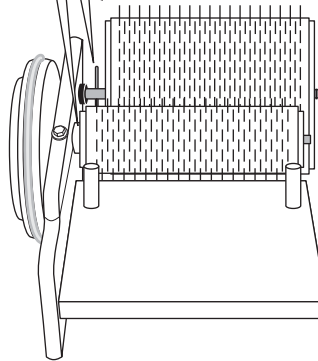
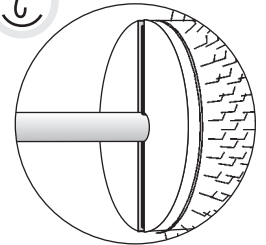
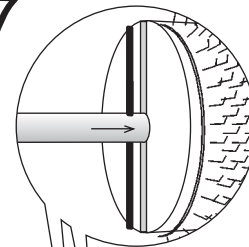
REASSEMBLING CHECK!

6

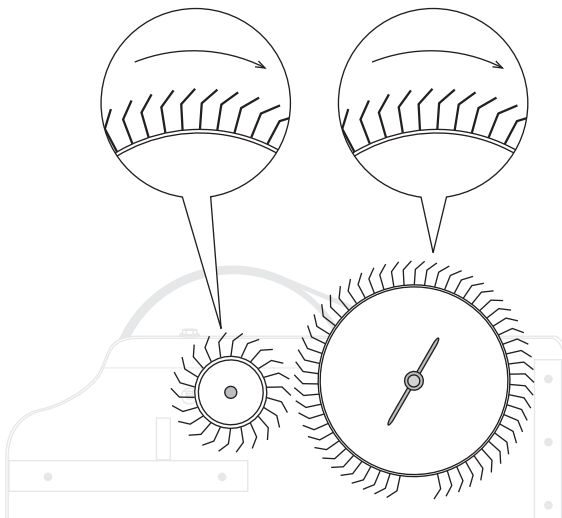


*Optional accessory
Ashford Spinning Wheel Oil

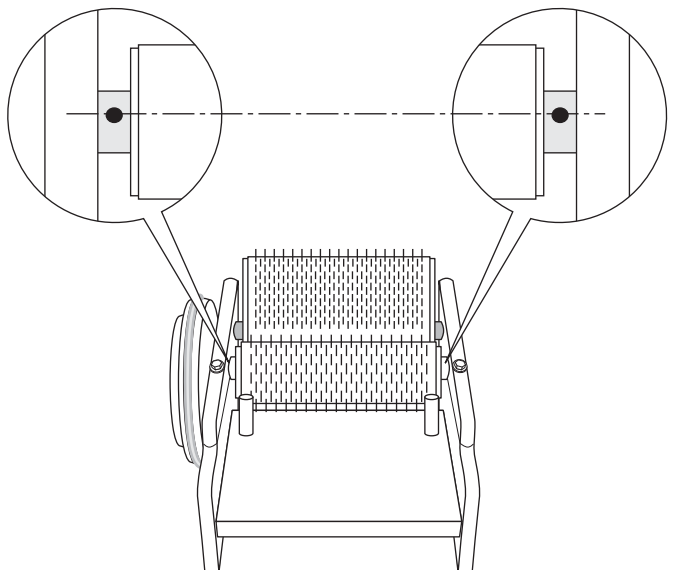
7



8

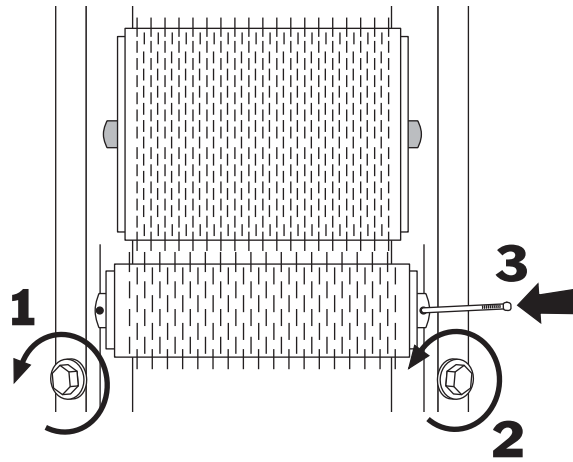
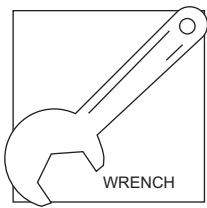


9

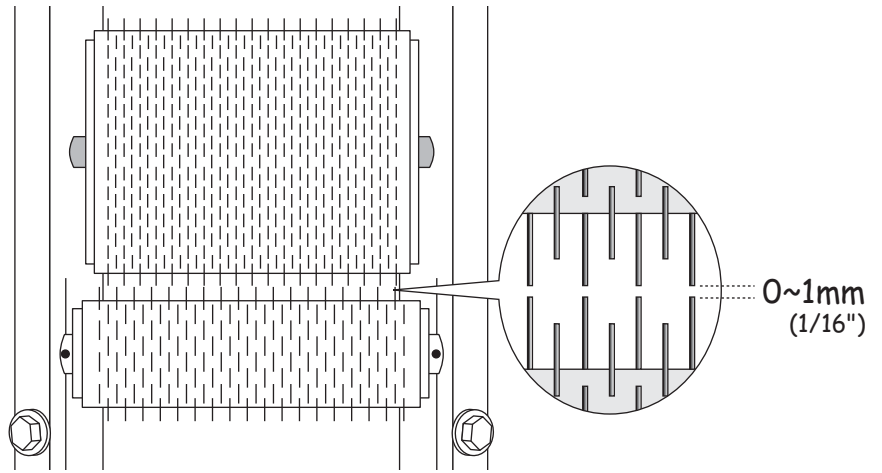
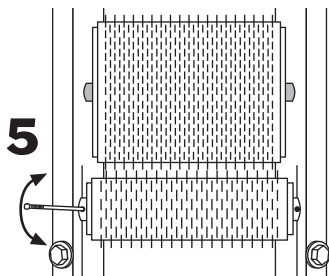
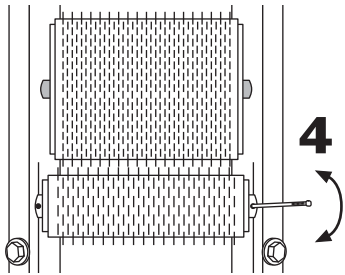
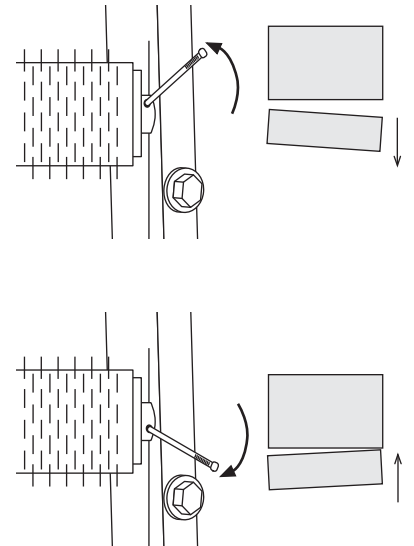


ADJUSTING
-Gap between teeth-

You will need ...



NOTE!



Hint!

The dirt and grease in unwashed wool can reduce the life of the carder. Washed wool keep the carding cloth and teeth free from grease and grime.

To wash wool

