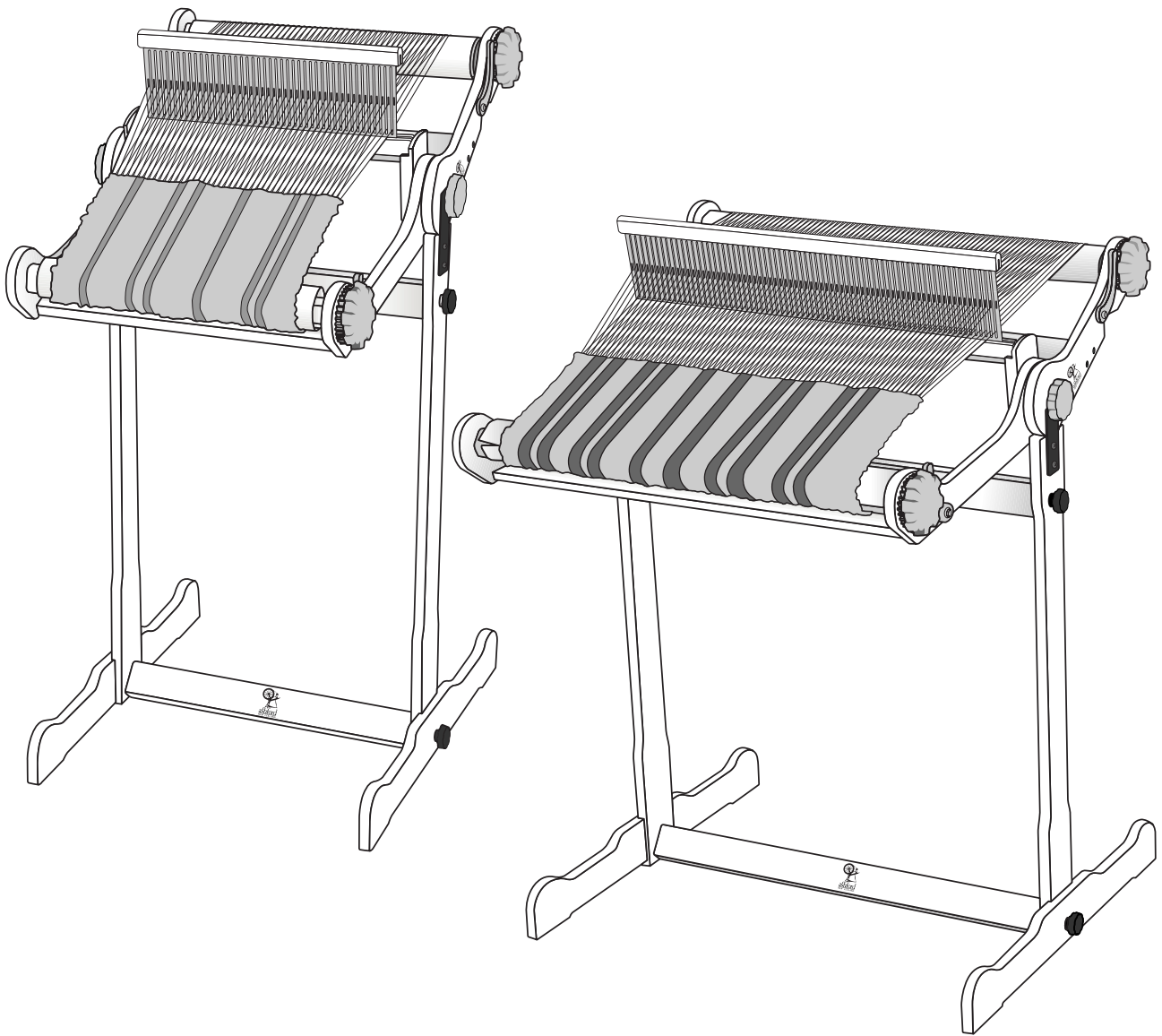
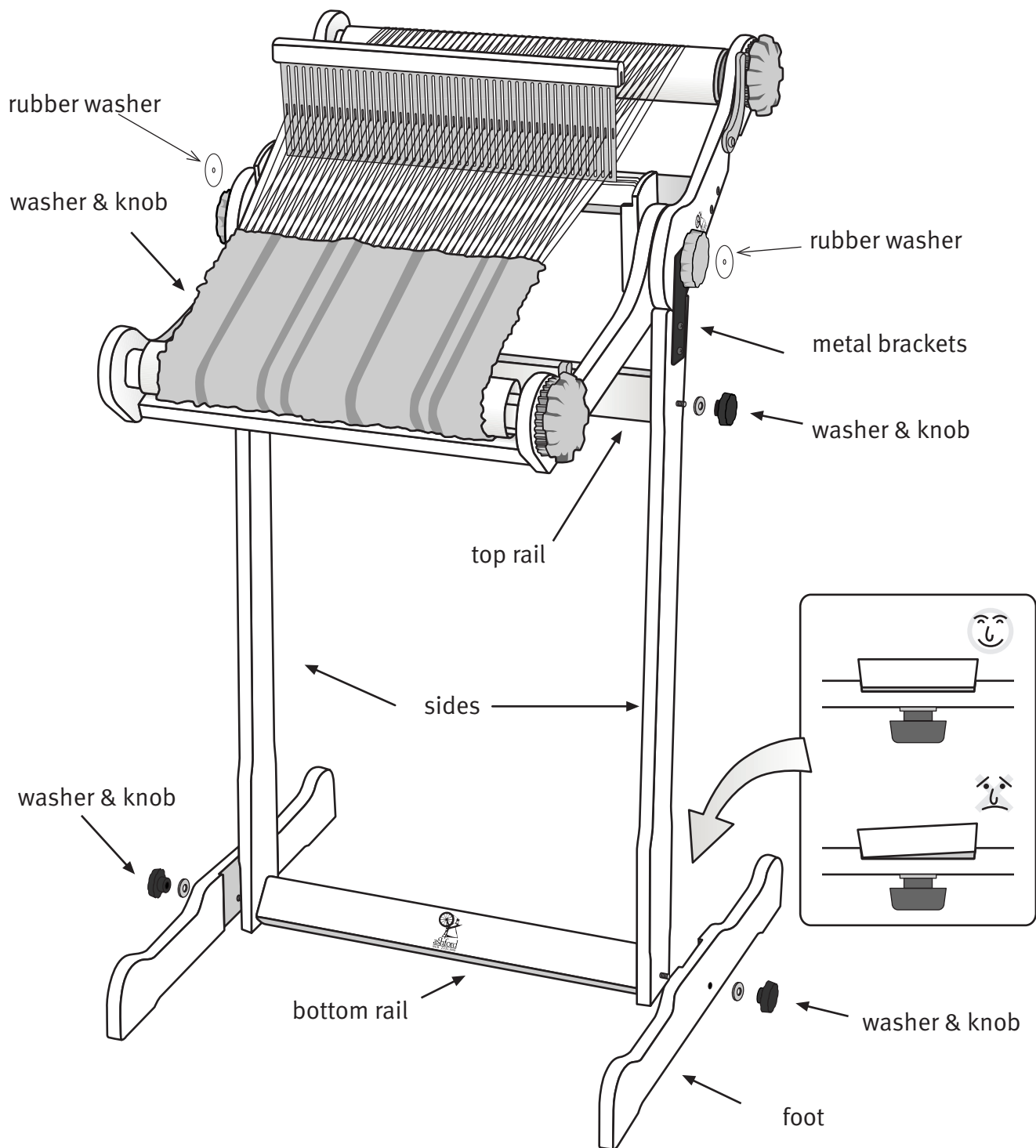


KNITTERS LOOM STAND

30cm (12ins) and 50cm (20ins)



KLLS20062012V4



- 1 Attach the base rail (with the Ashford logo) to one side and one foot and secure with a washer and knob. Note the metal bracket faces out and the tapered side fits snugly into the tapered rebate in the foot. Tighten the knobs to make the joint tight.
- 2 Secure the top rail to the same side with a washer and knob.
- 3 Attached the other side and foot. Secure with a washer and knob.
- 4 Completely unthread the side knobs on the Knitters Loom. Remove the steel washers and replace them with the thin rubber washers. Partially thread the knobs back on. Slide the loom onto the metal brackets keeping the rubber washers between the loom and the brackets. Tilt the loom to a convenient weaving angle. Lift the back of the loom to engage the 2 L blocks, check the reed support blocks are upright and tighten the side knobs.