

RIGID HEDDLE LOOM STAND VARIABLE WIDTH

For 40cm (16"), 60cm (24") or 80cm (32") Looms



ASSEMBLY INSTRUCTIONS FOR ASHFORD RIGID HEDDLE LOOM

Before commencing, please read the instructions completely, identify the parts and note the assembly sequence. Use the sandpaper supplied to remove any sharp edges and corners.

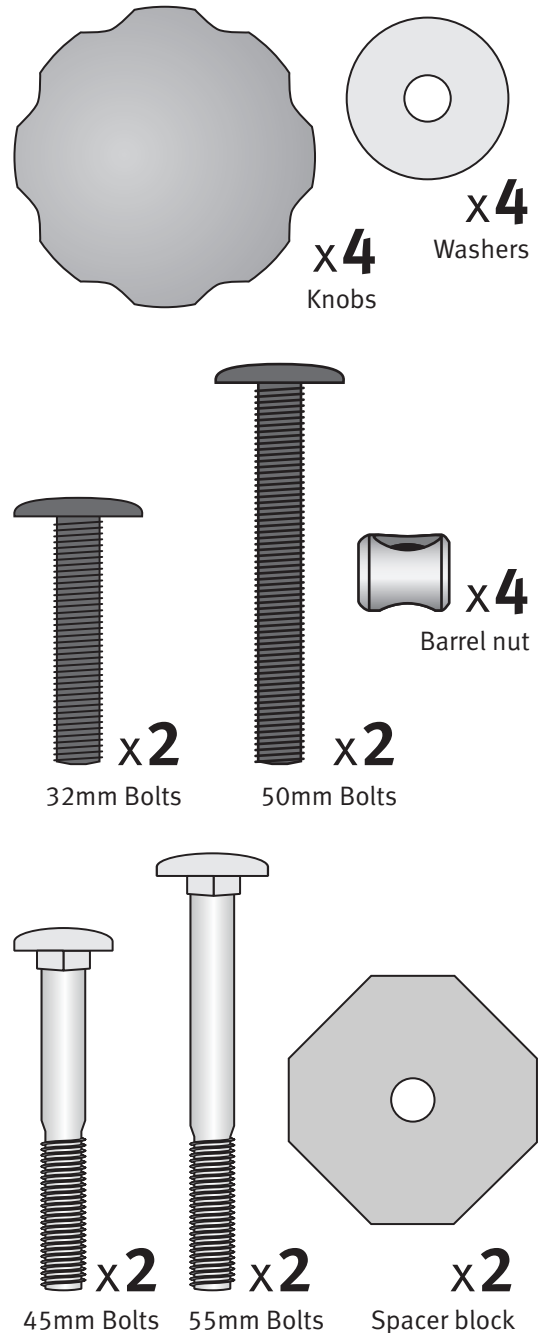
We recommend that the wood surfaces be waxed or sealed before assembly. This protects the kiln dried wood from climatic changes and prevents it getting dirty or stained. For a silky smooth matt finish, use the Ashford Wax Polish to enhance the natural colours and character of this timber.

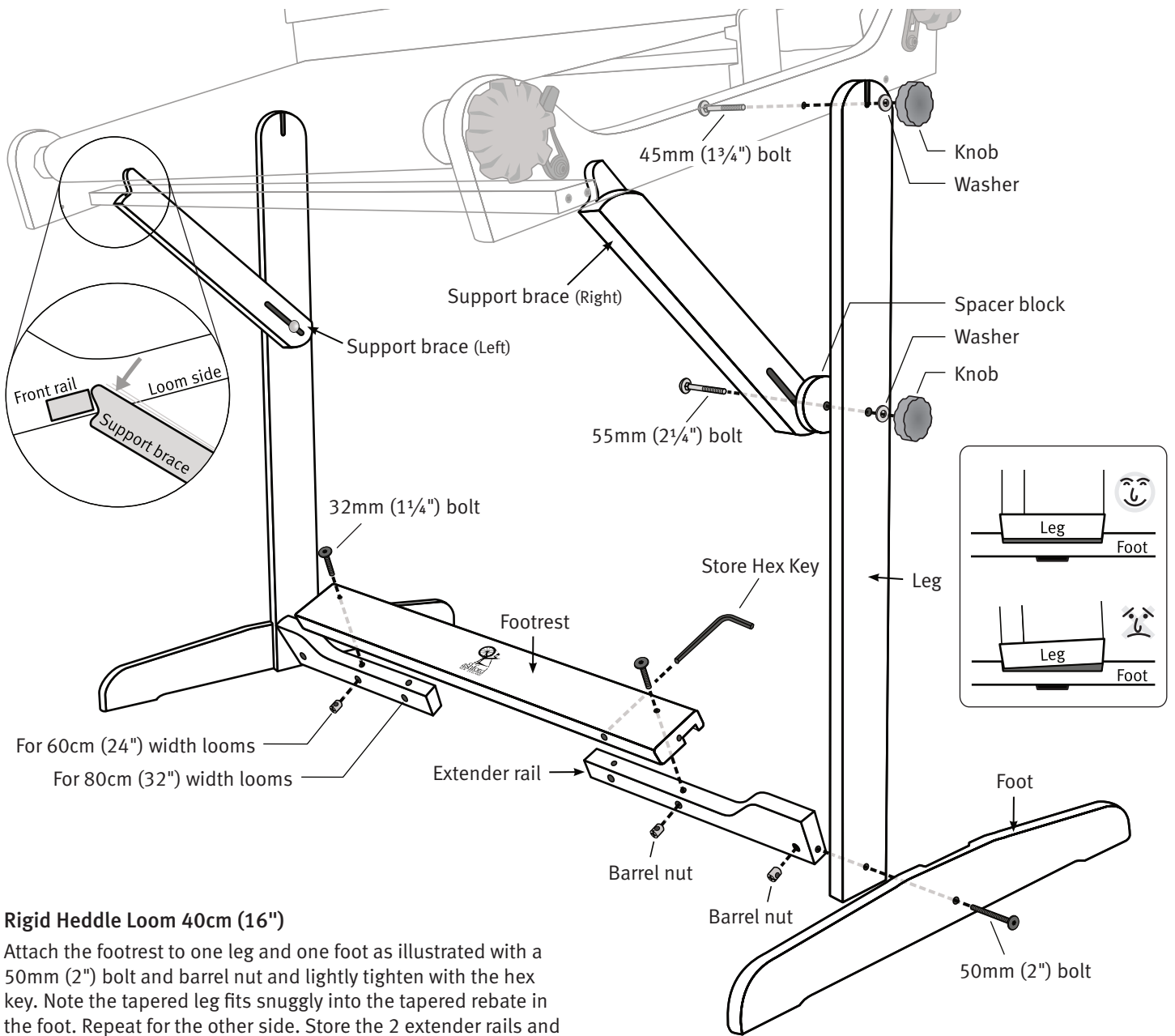
Tools Required



RHLSV291122V3

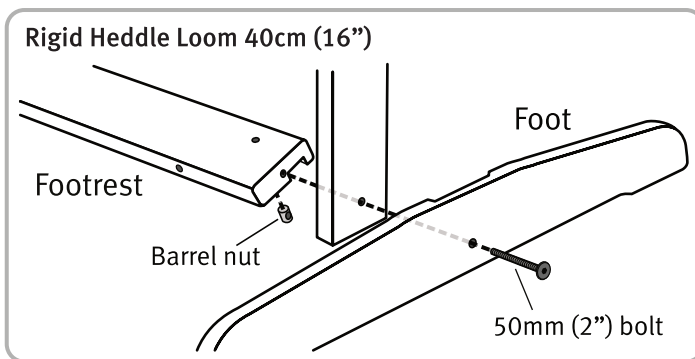
Real Scale Hardware List





Rigid Heddle Loom 40cm (16")

Attach the footrest to one leg and one foot as illustrated with a 50mm (2") bolt and barrel nut and lightly tighten with the hex key. Note the tapered leg fits snugly into the tapered rebate in the foot. Repeat for the other side. Store the 2 extender rails and 32mm (1 1/4") bolts and barrel nuts for future use with either a 60cm (24") or 80cm (32") Rigid Heddle Loom. Proceed to Step 3.

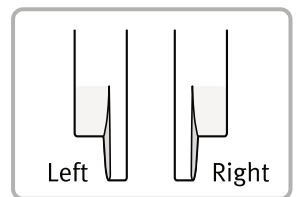


Rigid Heddle Loom 60cm (24") and 80cm (32")

1. Secure the footrest to both extender rails using the appropriate holes, with 32mm (1 1/4") bolts and barrel nuts.
2. Attach this footrest assembly to one leg and one foot as illustrated with 50mm (2") bolts and barrel nuts and lightly tighten with the hex key. Note the tapered leg fits snugly into the tapered rebate in the foot. Repeat for the other side.

3. Insert 45mm (1 3/4") bolts from the inside of your loom and tap the head of the bolt flush against the loom side. Locate the loom and bolts into the slots in the legs and secure with washers and knobs.

4. Note the support braces are left and right. Check they are on the correct side and attach them to the legs with 55mm (2 1/4") bolts, spacer blocks, washers and knobs.



5. Sit at the loom and adjust the angle of the loom and footrest to suit. Raise the support braces up under the front cross rail and tighten all knobs and bolts.
6. Store the hex key in the hole in the footrest so you can retighten the bolts if required.
7. The Freedom Roller can be attached to back of the loom to use when weaving thick rugs or for long warps.

Enjoy weaving comfortably on your Rigid heddle Loom!