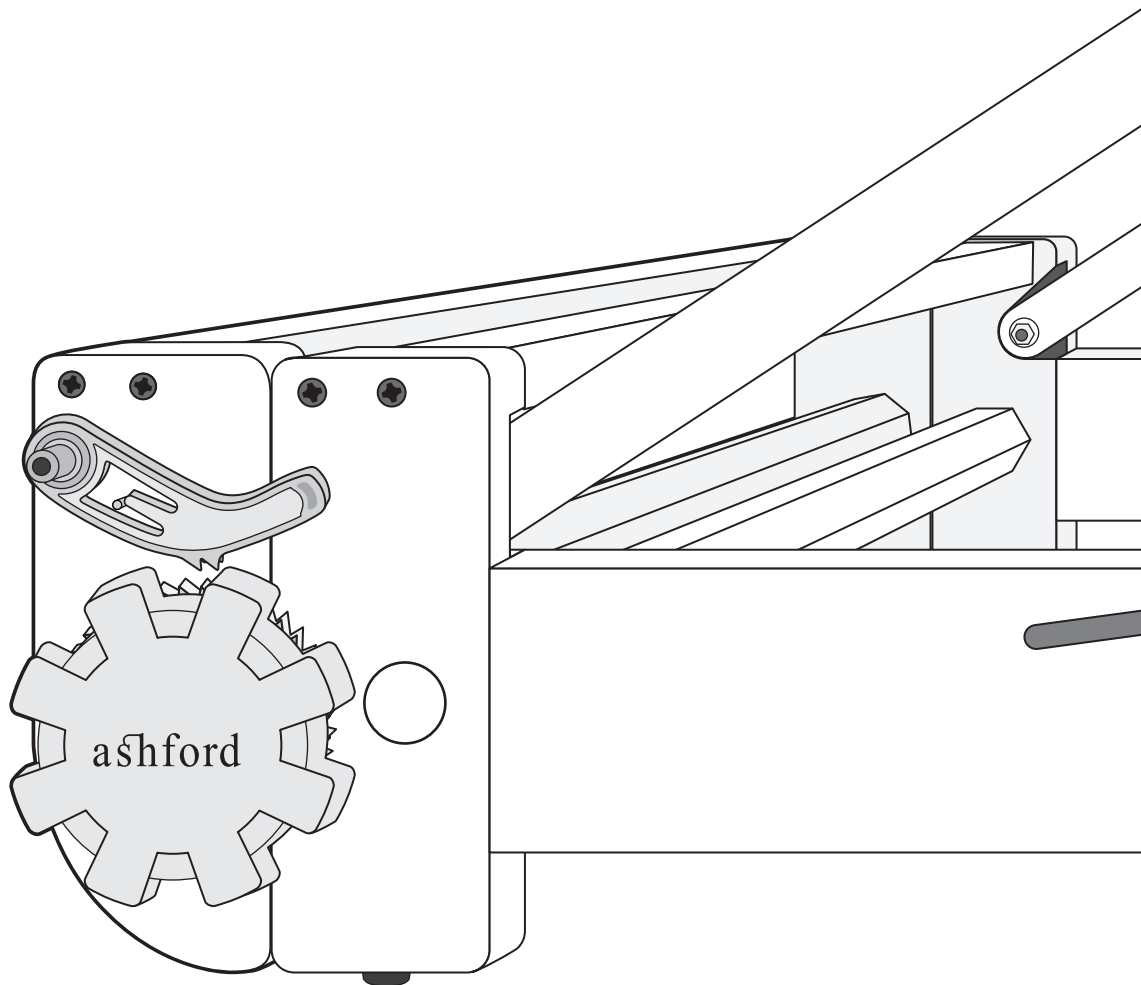


## SECOND BACK BEAM



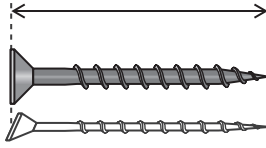
SBB160614V5

## TOOLS

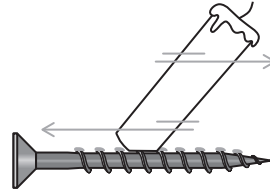


## HINTS

Before commencing, please read these instructions completely, identify the parts and note the assembly sequence.



Check hardware against full size illustration.



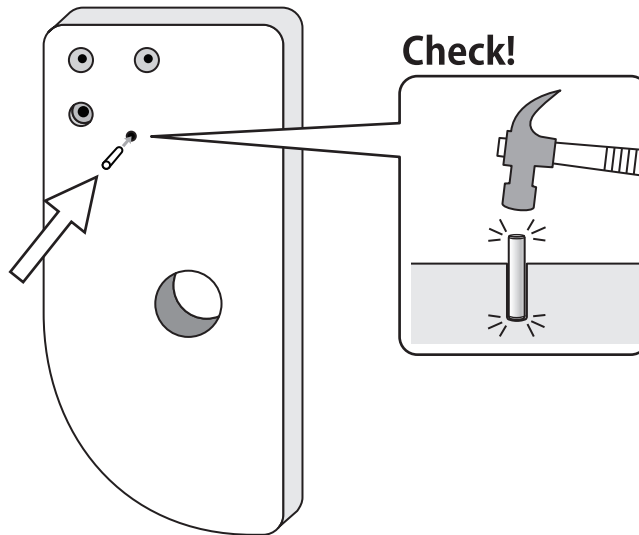
To make assembly easier use candle wax on the screws.

**Check!**

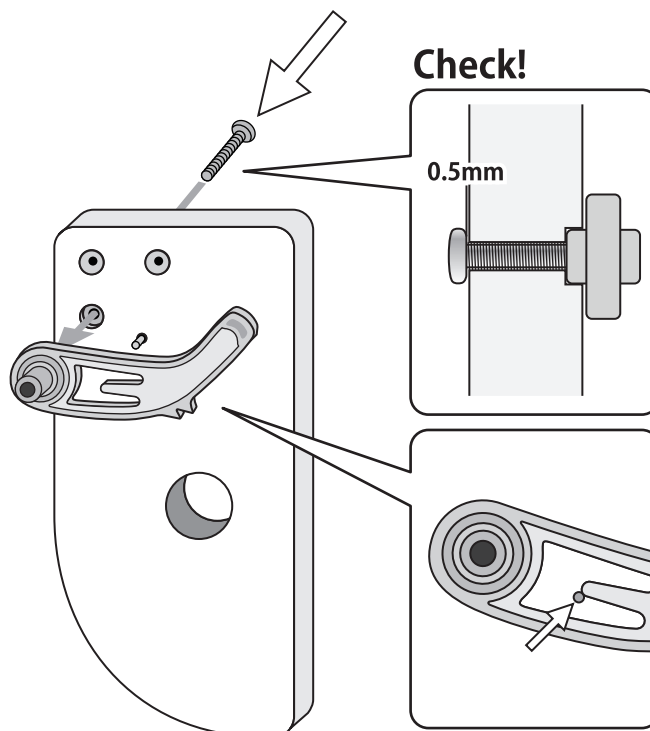
Check the directions carefully.

**1**

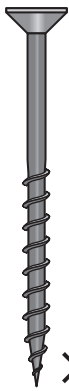
**NOTE:** We have completed this step for you. Remove and discard the wooden protector blocks.



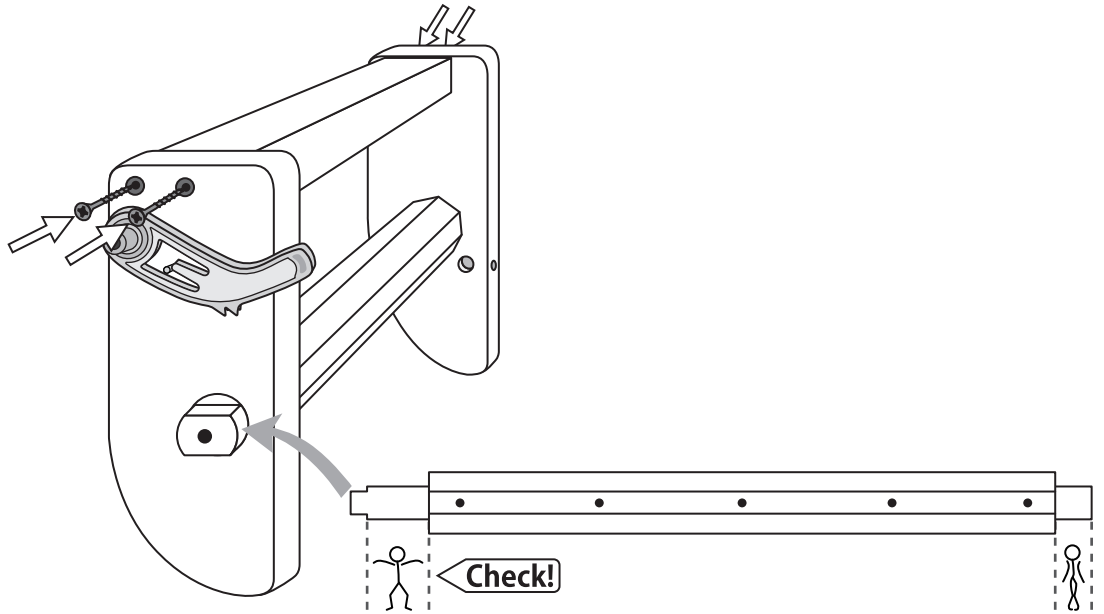
**2**



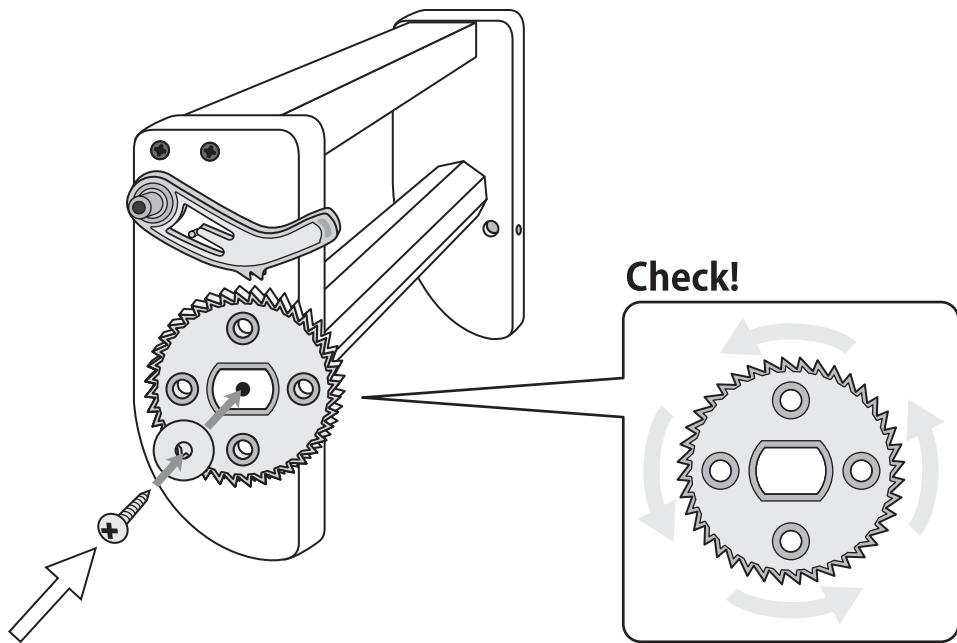
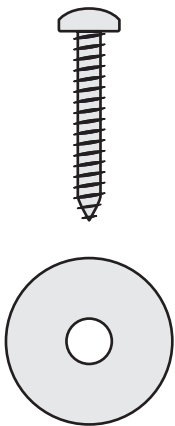
3



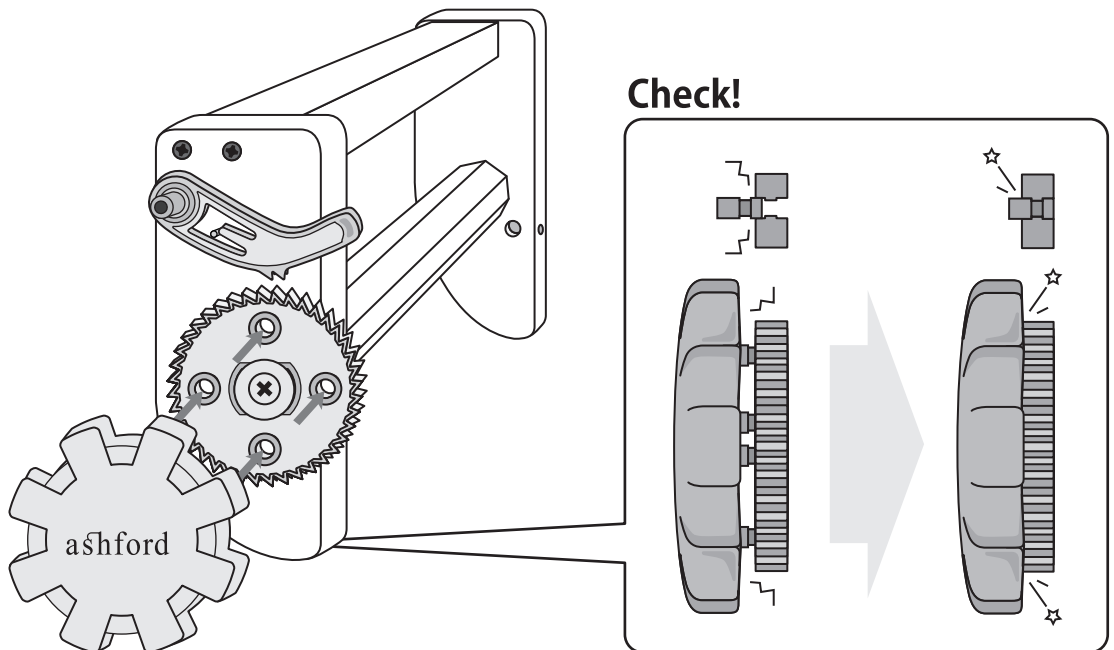
×4



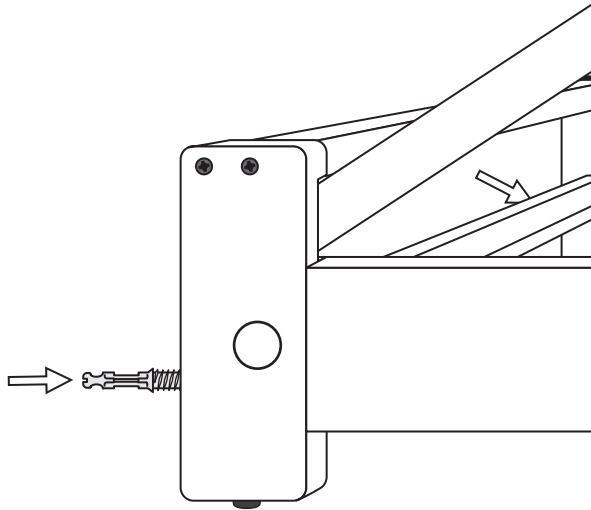
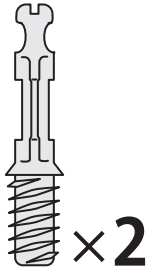
4



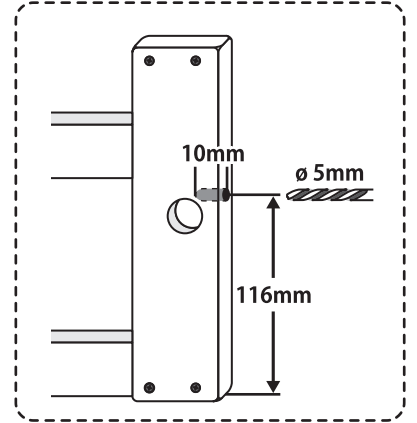
5



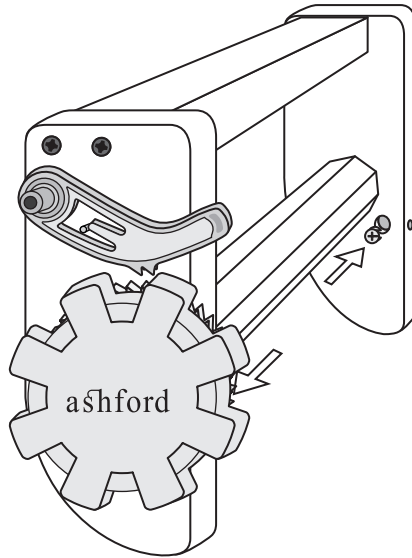
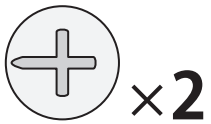
6



For old looms



7



8

Check!

